

# SECTION RS

GI  
MA  
EM  
LC  
EC  
FE  
CL  
MT  
AT  
PD  
FA  
RA  
BR  
ST  
RS  
BT  
HA  
EL  
IDX

## CONTENTS

<b>PRECAUTIONS</b> .....	2	Removal — Air Bag Module and Spiral Cable .....	9
Supplemental Restraint System (SRS) "AIR BAG" .....	2	Removal — Front Passenger Air Bag Module .....	10
<b>SEAT BELTS</b> .....	3	Installation — Air Bag Module and Spiral Cable .....	11
Front Seat Belt .....	3	Installation — Front Passenger Air Bag Module .....	12
Rear Seat Belt .....	4	Disposal of Air Bag Module .....	13
<b>SUPPLEMENTAL RESTRAINT SYSTEM (SRS)</b> .....	5	<b>TRouble DIAGNOSES — Supplemental Restraint System (SRS)</b> .....	17
Precautions for SRS "Air Bag" Service .....	5	Schematic .....	17
Special Service Tools .....	5	Wiring Diagram — SRS — .....	18
Description .....	6	How to Perform Trouble Diagnoses for Quick and Accurate Repair .....	20
SRS Component Parts Location .....	6	Self-diagnosis .....	22
Maintenance Items .....	7	Trouble Diagnoses for Air Bag Warning Lamp .....	35
Removal and Installation — Diagnosis Sensor Unit .....	8	<b>COLLISION DIAGNOSIS</b> .....	37

**When you read wiring diagrams:**

- Read GI section, "HOW TO READ WIRING DIAGRAMS".
- See EL section, "POWER SUPPLY ROUTING" for power distribution circuit.

**When you perform trouble diagnoses, read GI section, "HOW TO FOLLOW FLOW CHART IN TROUBLE DIAGNOSES" and "HOW TO PERFORM EFFICIENT DIAGNOSIS FOR AN ELECTRICAL INCIDENT".**

## PRECAUTIONS

---

### Supplemental Restraint System (SRS) "AIR BAG"

The Supplemental Restraint System "Air Bag", used along with a seat belt, helps to reduce the risk or severity of injury to the driver and front passenger in a frontal collision. The Supplemental Restraint System consists of air bag modules (located in the center of the steering wheel and on the instrument panel on the passenger side), a diagnosis sensor unit, warning lamp, wiring harness and spiral cable.

**WARNING:**

- To avoid rendering the SRS inoperative, which could increase the risk of personal injury or death in the event of a collision which would result in air bag inflation, all maintenance must be performed by an authorized NISSAN dealer.
- Improper maintenance, including incorrect removal and installation of the SRS, can lead to personal injury caused by unintentional activation of the system.
- Do not use electrical test equipment on any circuit related to the SRS unless instructed to in this Service Manual. SRS wiring harnesses are covered with yellow insulation either just before the harness connectors or for the complete harness, for easy identification.

# SEAT BELTS

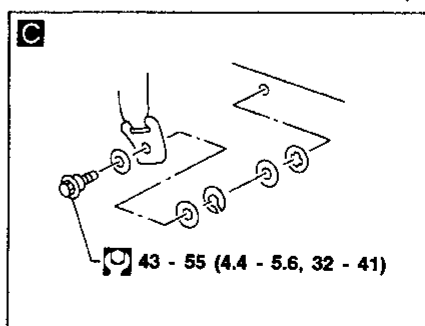
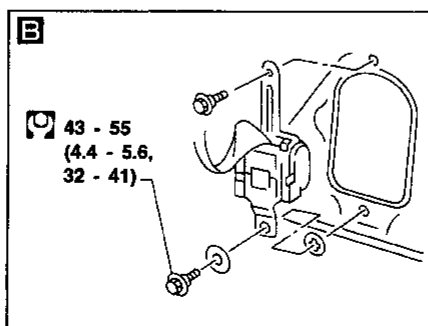
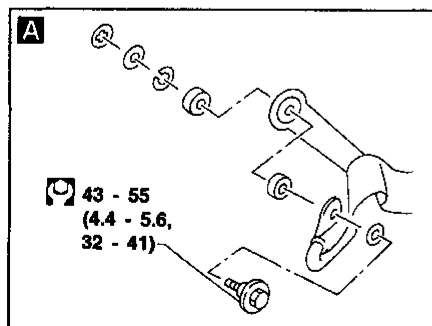
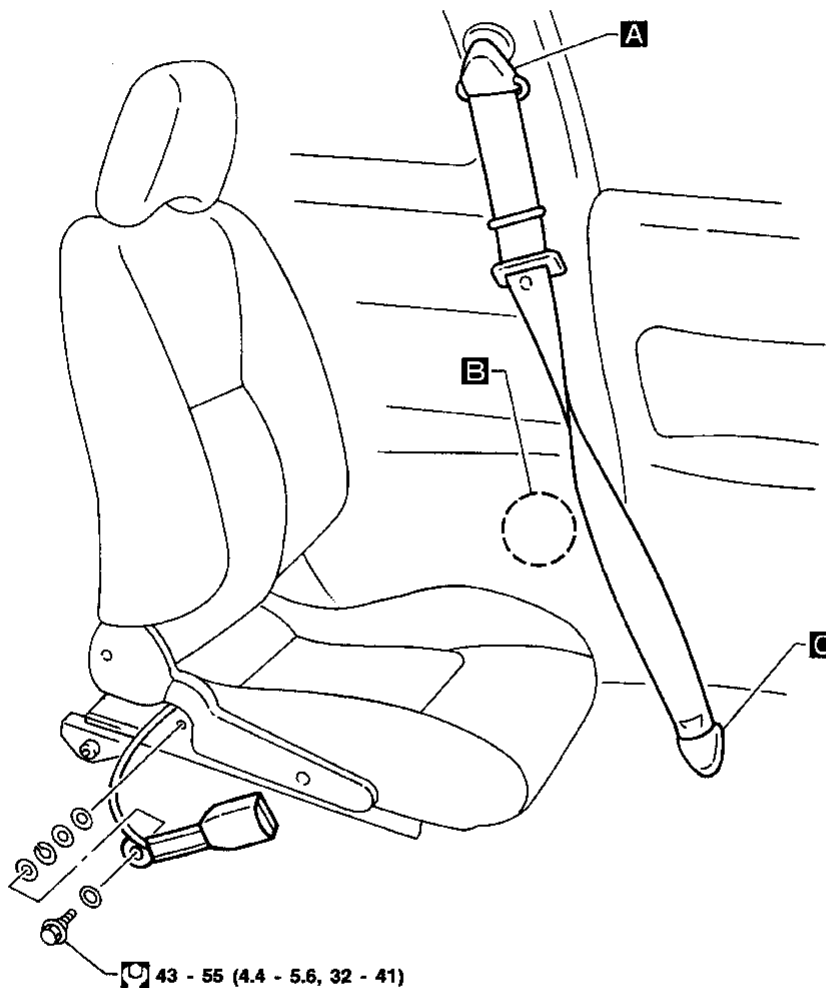
## CAUTION:

- Do not disassemble buckle or ELR assembly.
- Replace anchor bolts if they are deformed or worn out.

## Front Seat Belt

1. Remove rear seat. Refer to "SEAT" in BT section for details.
2. Remove rear pillar lower garnish. Refer to "INTERIOR TRIM" in BT section or details.
3. Remove floor anchor cover and the anchor bolt.
4. Remove pillar anchor cover and the anchor bolt.
5. Remove the screw and the anchor bolt securing ELR assembly.

SEC. 868



: N·m (kg-m, ft-lb)

GI

MA

EM

LC

EC

FE

CL

MT

AT

PD

FA

RA

BR

ST

**RS**

BT

HA

EL

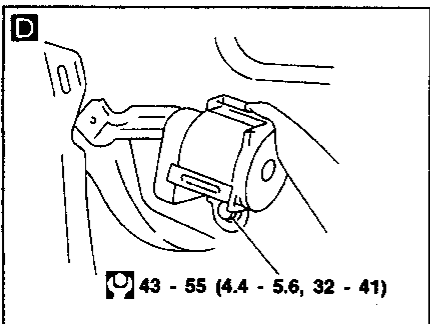
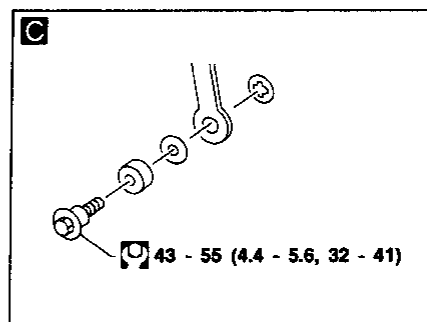
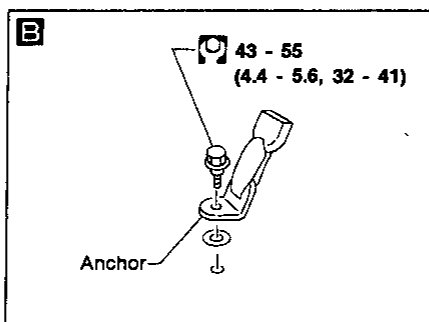
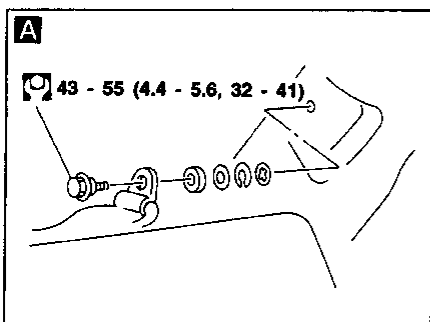
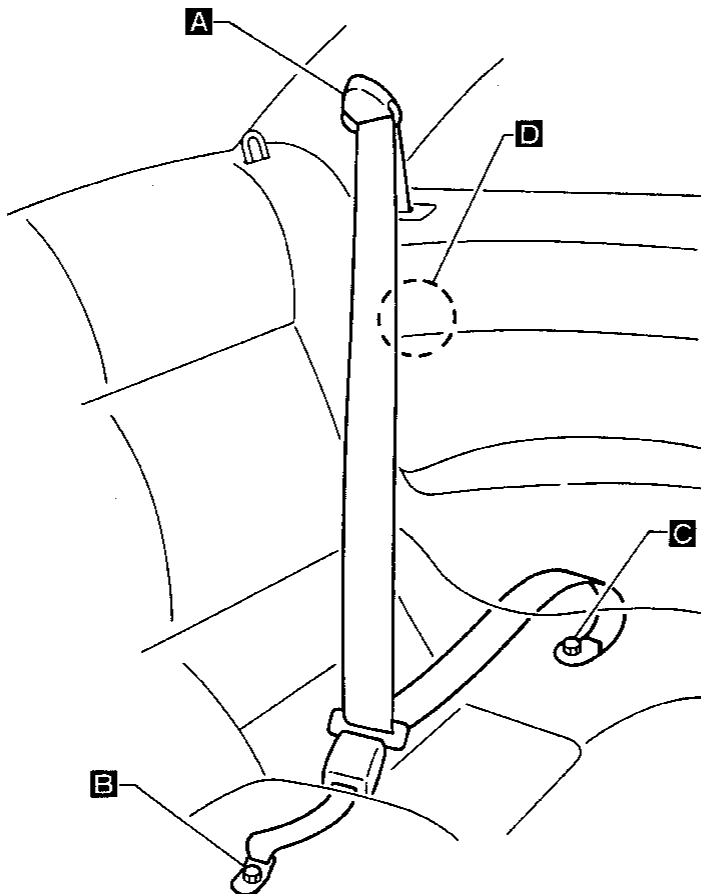
IDX

# SEAT BELTS

## Rear Seat Belt

1. Remove rear seat. Refer to "SEAT" in BT section for details.
2. Remove rear pillar lower garnish. Refer to "INTERIOR TRIM" in BT section for details.
3. Remove each anchor bolt.
4. Remove the anchor bolt securing ELR assembly.

SEC. 869



$\text{43 - 55 (4.4 - 5.6, 32 - 41)}$ : N·m (kg-m, ft-lb)

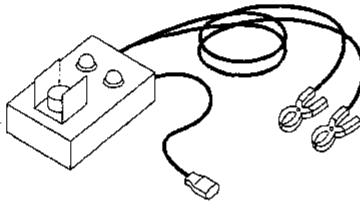
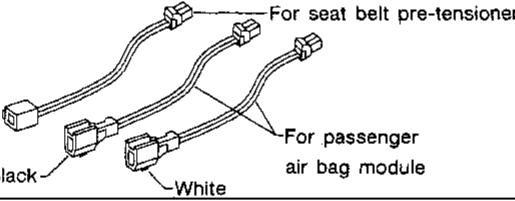
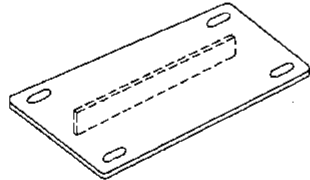
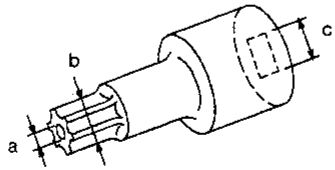
# SUPPLEMENTAL RESTRAINT SYSTEM (SRS)

## Precautions for SRS "Air Bag" Service

- Do not use a circuit tester to check SRS circuits.
- Before servicing the SRS, turn ignition switch "OFF", disconnect battery ground cable and wait for at least 10 minutes.  
For approximately 10 minutes after the cables are removed, it is still possible for the air bag to inflate. Therefore, do not work on any air bag system connectors or wires until at least 10 minutes have passed.
- Diagnosis sensor unit must always be installed with their arrow marks "◁" facing the front of the vehicle for proper operation. Also check diagnosis sensor unit for cracks, deformities or rust before installation and replace as required.
- The spiral cable must be aligned with the neutral position since its rotations are limited. Do not attempt to turn steering wheel or column after removal of steering gear.
- Handle air bag module carefully. Always place it with the pad side facing upward.
- Do not use old bolts after removing any SRS parts; replace with new ones. Conduct self-diagnosis to check entire SRS for proper function.
- After air bag inflates, the front instrument panel assembly should be replaced.

## Special Service Tools

The actual shapes of Kent-Moore tools may differ from those of special service tools illustrated here.

Tool number (Kent-Moore No.) Tool name	Description	
KV991072S0 (J38381-KIT) Air bag deployment kit  KV99106400 (J38381) Deployment tool	NT357 	Disposing of air bag module
KV991065S0 (J38381-30) Deployment tool adapters	NT353 	
KV99105300 (J41246) Passenger air bag bracket	NT354 	Anchor the passenger air bag module
HT61961000 and HT62152000 combined (J38219) *Special torx bit	NT361 	Use for special bolts [TAMPER RESISTANT TORX (Size T50)]  a: 3.5 (0.138) dia. b: 8.5 - 8.6 (0.335 - 0.339) dia. c: approx. 10 (0.39) sq.

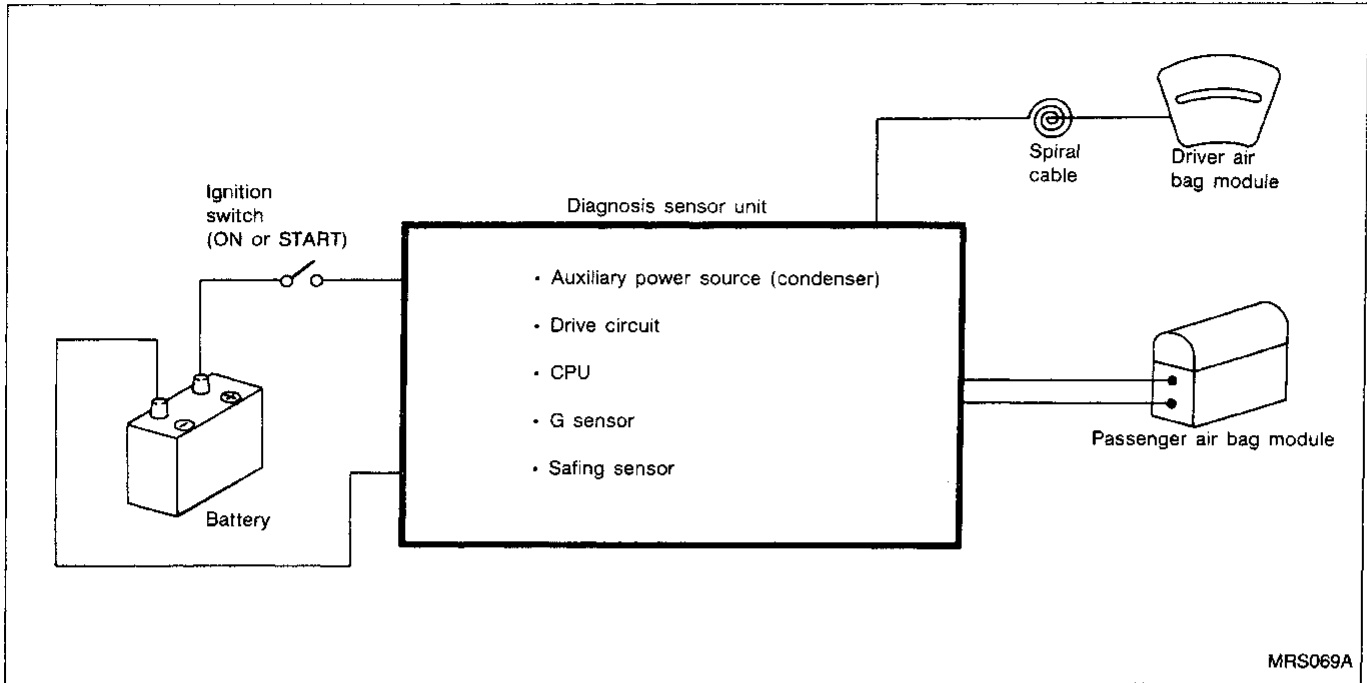
Unit: mm (in)

\*: Special tool or commercial equivalent

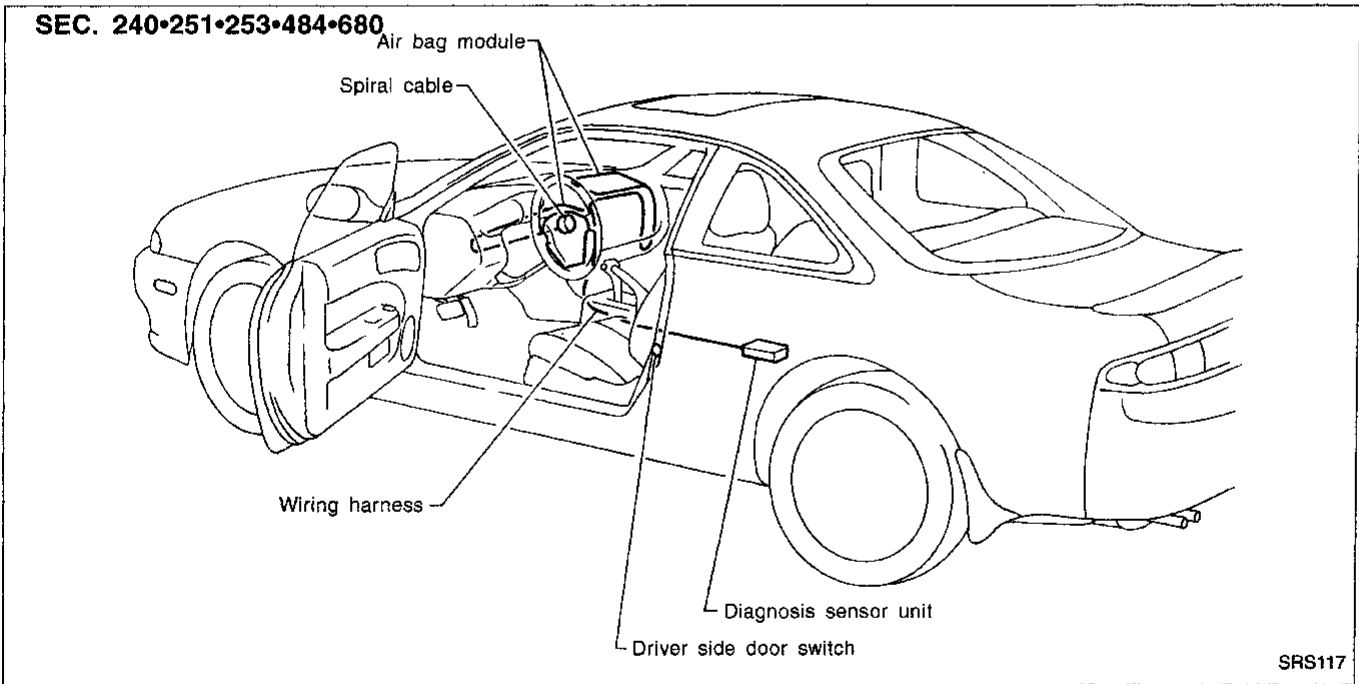
# SUPPLEMENTAL RESTRAINT SYSTEM (SRS)

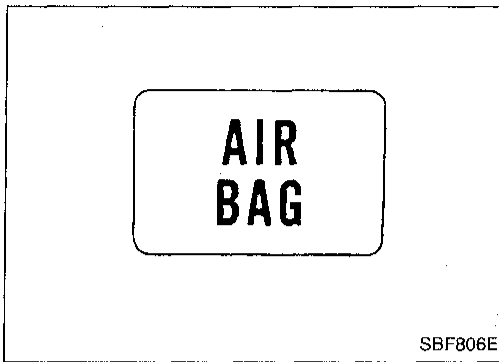
## Description

The air bag deploys if the diagnosis sensor unit activates while the ignition switch is in the "ON" or "START" position.



## SRS Component Parts Location





## Maintenance Items

1. Check "AIR BAG" warning lamp operation
 

After turning ignition key to "ON" position, "AIR BAG" warning lamp illuminates. The "AIR BAG" warning lamp will turn off after about 7 seconds if no malfunction is detected. If any of the following air bag warning lamp conditions occur, immediately check the air bag system. Refer to RS-22 for details.

  - The warning lamp does not illuminate when the ignition switch is turned "ON".
  - The warning lamp does not turn off about 7 seconds after the ignition switch is turned "ON".
  - The warning lamp turns off about 7 seconds after the ignition switch is turned "ON", but it turns on or flashes again.
  
2. Visually check SRS components
  - (1) Diagnosis sensor unit
    - Check diagnosis sensor unit and bracket for dents, cracks or deformities.
    - Check connectors for damage, and terminals for deformities.
  
  - (2) Air bag module and steering wheel
    - Remove air bag module from steering wheel or instrument panel. Check harness cover and connectors for damage, terminals for deformities, and harness for binding.
    - Install driver side air bag module to steering wheel to check fit or alignment with the wheel.
    - Check steering wheel for excessive free play.
    - For dual air bag system, install passenger side air bag module to instrument panel to check fit or alignment with the instrument panel.
  
  - (3) Spiral cable
    - Check spiral cable for dents, cracks, or deformities.
    - Check connectors and protective tape for damage.
    - Check steering wheel for noise, binding or heavy operation.
  
  - (4) Main harness and air bag harness
    - Check connectors for poor connections, damage, and terminals for deformities.
    - Check harnesses for binding, chafing or cut.

### CAUTION:

**Replace previously used screws with new ones.**

GI

MA

EM

LC

EC

FE

CL

MT

AT

PD

FA

RA

BR

ST

RS

BT

HA

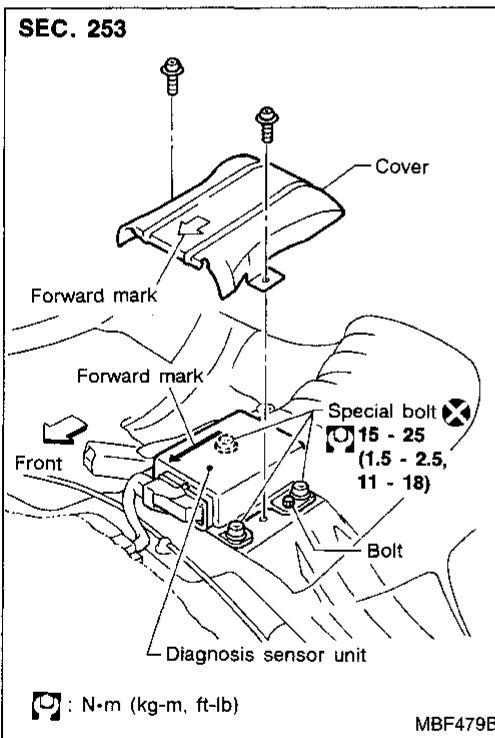
EL

IDX

## Removal and Installation — Diagnosis Sensor Unit

### CAUTION:

- Before servicing SRS, turn the ignition switch off, disconnect battery ground cable and wait for at least 10 minutes.
- The special bolts are coated with bonding agent while the other bolt is for ground. Discard old ones after removal; replace with new ones.
- Check diagnosis sensor unit for proper installation.
- Check diagnosis sensor unit to ensure they are free of deformities, dents, cracks or rust. If they show any visible signs of damage, replace them with new ones.
- Check diagnosis sensor unit brackets to ensure they are free of deformities or rust.
- Replace diagnosis sensor unit if it has been dropped or sustained an impact.



### REMOVAL OF DIAGNOSIS SENSOR UNIT

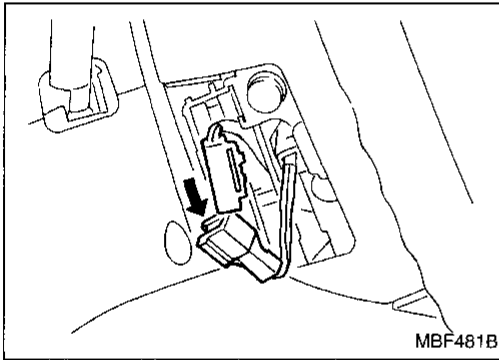
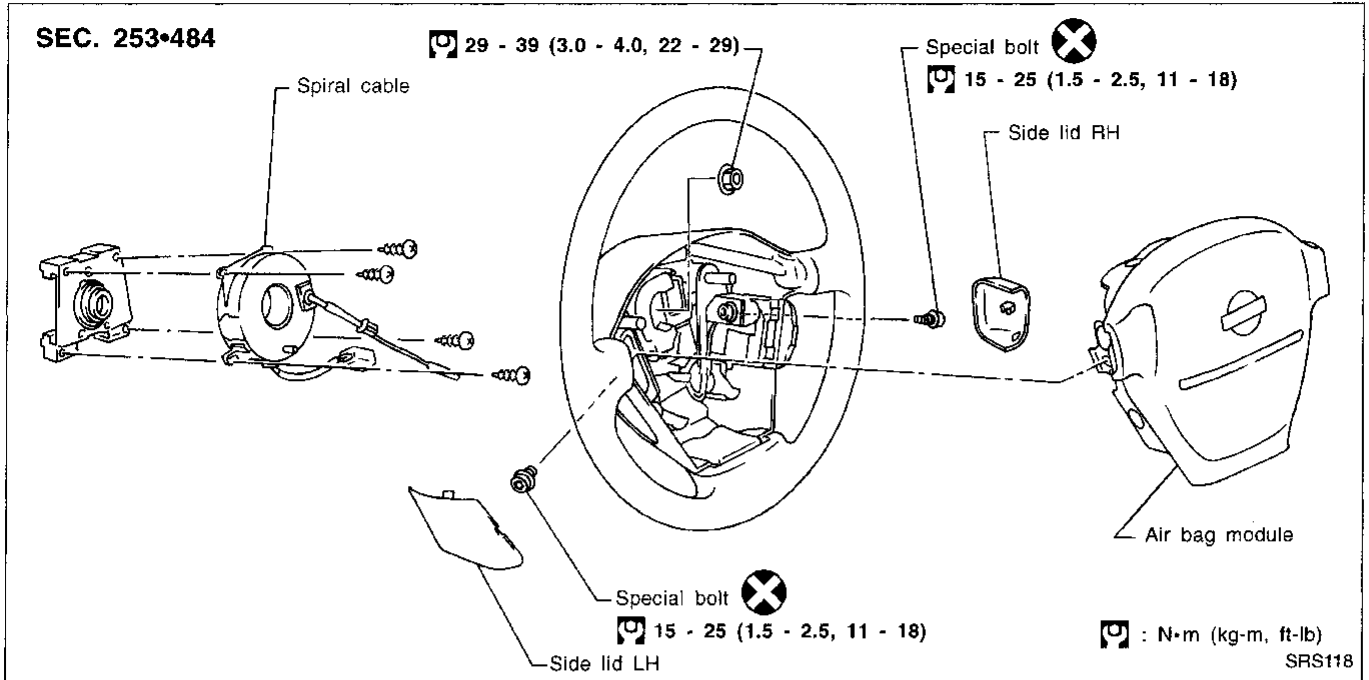
1. Disconnect driver and passenger air bag module connectors.
2. Remove rear seat assembly. Refer to "Rear Seat" in BT section for details.
3. Remove cover.
4. Disconnect diagnosis sensor unit connector.
5. Remove bolt and also remove special bolts using the TAMPER RESISTANT TORX (Size T50), from diagnosis sensor unit. Then remove the diagnosis sensor unit.

### NOTE:

- To install, reverse the removal procedure sequence.
- After replacement, perform self-diagnosis for SRS. Refer to "Self-diagnosis" for details (RS-22).

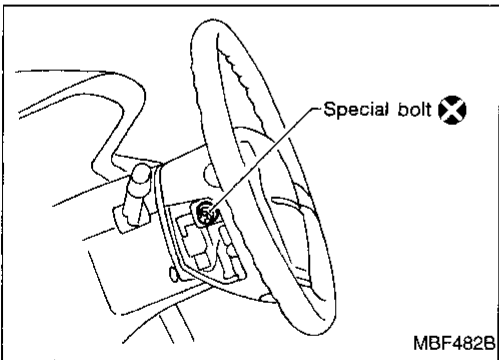


**Removal — Air Bag Module and Spiral Cable**

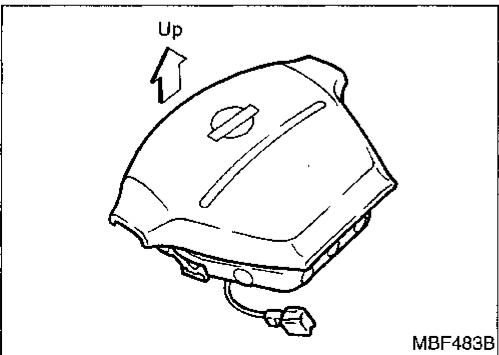


**CAUTION:**

- Before servicing SRS, turn the ignition switch off, disconnect battery ground cable and wait for at least 10 minutes.
  - Always work from the side of air bag module.
1. Remove side lid LH from steering wheel, and disconnect air bag module connector.



2. Remove side lid. Using the TAMPER RESISTANT TORX (Size T50), remove left and right special bolts. Air bag module can then be removed.



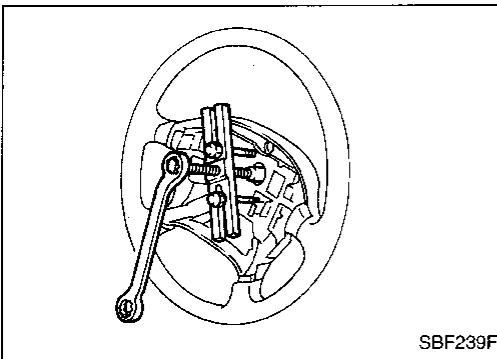
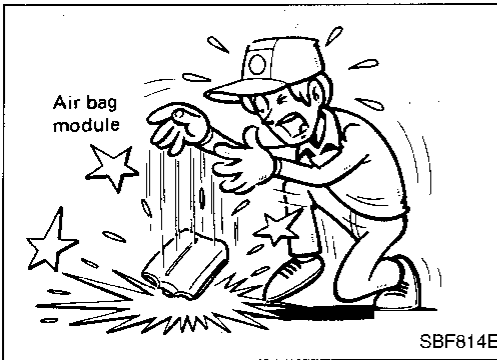
**CAUTION:**

- Always place air bag module with pad side facing upward.
- Do not attempt to disassemble air bag module.
- The special bolts are coated with bonding agent. Discard old ones after removal; replace with new ones.

GI  
MA  
EM  
LC  
EC  
FE  
CL  
MT  
AT  
PD  
FA  
RA  
BR  
ST  
RS  
BT  
HA  
EL  
IDX

## SUPPLEMENTAL RESTRAINT SYSTEM (SRS)

### Removal — Air Bag Module and Spiral Cable (Cont'd)



- Replace air bag module if it has been dropped or sustained an impact.
- Do not expose the air bag module to temperatures exceeding 90°C (194°F).
- Do not allow oil, grease or water to come in contact with the air bag module.

3. Set steering wheel in the neutral position.
4. Disconnect horn connector and remove nuts.
5. Using steering wheel puller, remove steering wheel. Be careful not to over-tighten puller bolt on steering wheel.

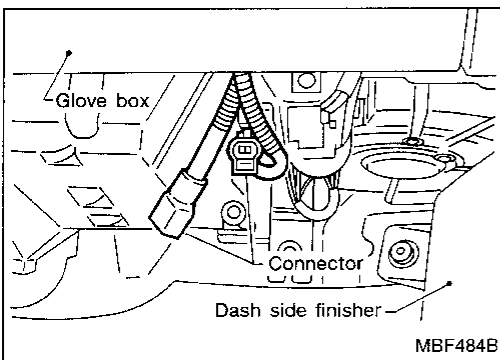
#### CAUTION:

- Do not tap or bump the steering wheel.

6. Remove steering column cover.
7. Disconnect connector and remove the four screws. The spiral cable can then be removed.

#### CAUTION:

- Do not attempt to disassemble spiral cable.
- Do not apply lubricant to the spiral cable.

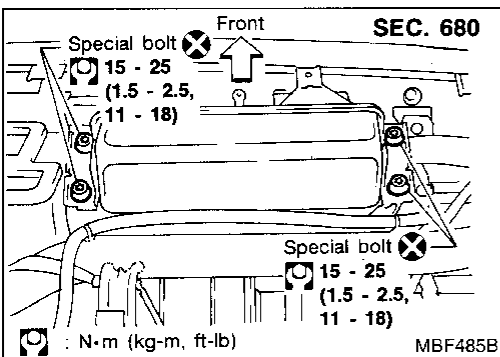


### Removal — Front Passenger Air Bag Module

#### CAUTION:

- Before servicing SRS, turn the ignition switch off, disconnect battery ground cable and wait for at least 10 minutes.
- Always work from the side of or under air bag module.

1. Remove connector bracket from air bag module and disconnect inflator connector from body harness air bag connector.



2. Remove instrument panel.
  3. Remove the special bolts from left and right sides of front passenger air bag module using the TAMPER RESISTANT TORX (Size T50). Then remove the air bag module from the steering member.
- Air bag module is heavy and should be supported using both hands during removal.

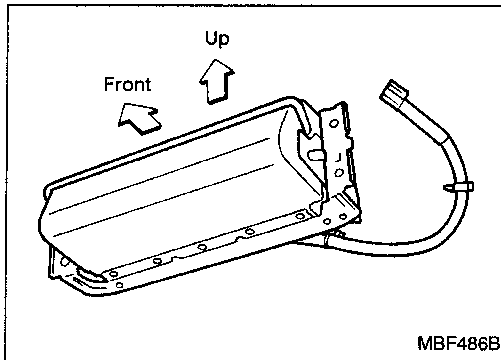
# SUPPLEMENTAL RESTRAINT SYSTEM (SRS)

## Removal — Front Passenger Air Bag Module (Cont'd)

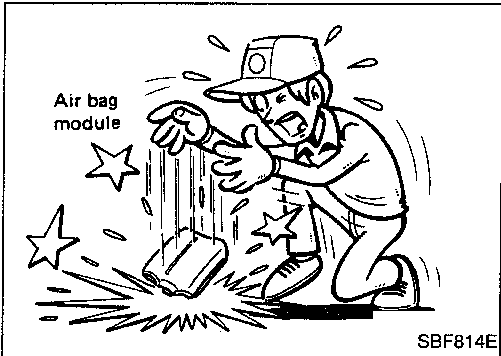
### CAUTION:

- Always place air bag module with pad side facing upward.
- Do not attempt to disassemble air bag module.
- The special bolts are coated with bonding agent. Discard old ones after removal; replace with new ones.
- Do not insert any foreign objects (screwdriver, etc.) into air bag module connector.
- Do not use a circuit tester to check the air bag module harness connector.

GI  
MA  
EM



MBF486B

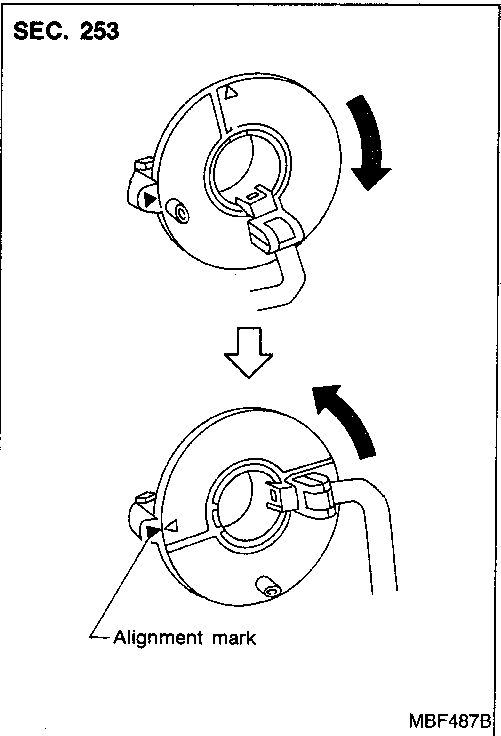


SBF814E

- Replace air bag module if it has been dropped or sustained an impact.
- Do not expose the air bag module to temperatures exceeding 90°C (194°F).
- Do not allow oil, grease or water to come in contact with the air bag module.

LC  
EC  
FE

### SEC. 253



MBF487B

## Installation — Air Bag Module and Spiral Cable

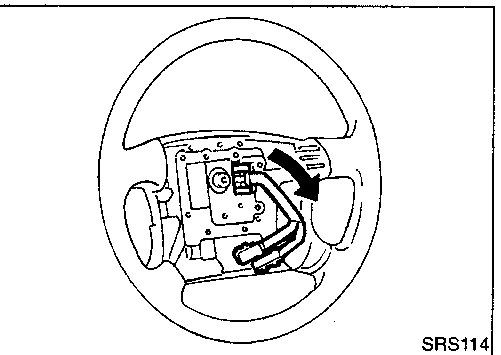
1. Set the front wheels in the straight-ahead position.
2. Make sure that the spiral cable is in the neutral position. The neutral position is detected by turning left 2.5 revolutions from the right end position. Align the two marks (∇).

MT  
AT  
PD

### CAUTION:

- The spiral cable may snap due to steering operation if the cable is installed in an improper position.
  - Also, with the steering linkage disconnected, the cable may snap by turning the steering wheel beyond the limited number of turns. (The spiral cable can be turned up to 2.5 turns from the neutral position to both the right and left.)
  - Always work from the side of air bag module.
3. Connect spiral cable connector and tighten with screws. Install steering column cover.

FA  
RA  
BR



SRS114

4. Install steering wheel setting spiral cable pin guides, and pull spiral cable through.
5. Connect horn connector and engage spiral cable with pawls in steering wheel. Move air bag module connector away from steering wheel lower lid opener.
6. Tighten nuts.

ST

Ⓞ: 29 - 39 N·m (3.0 - 4.0 kg·m, 22 - 29 ft·lb)

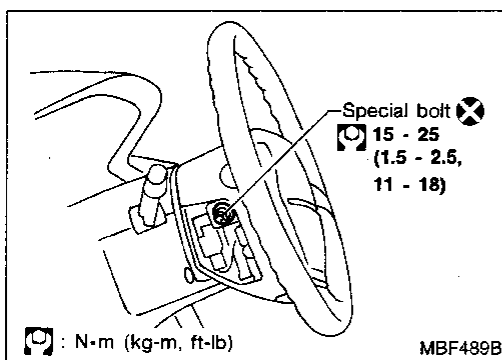
RS

BT  
HA  
EL

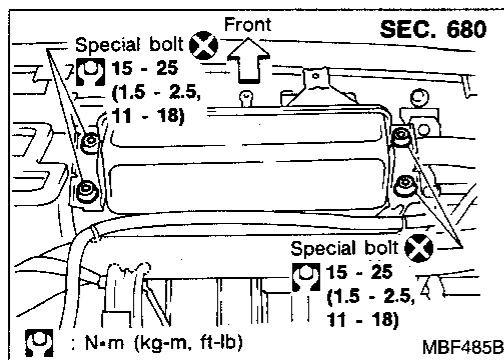
IDX

## SUPPLEMENTAL RESTRAINT SYSTEM (SRS)

### Installation — Air Bag Module and Spiral Cable (Cont'd)

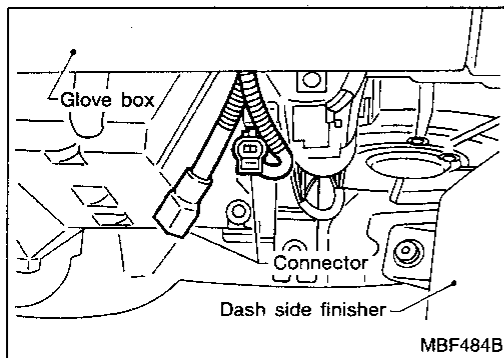


7. Position air bag module and tighten with new special bolts.
8. Connect air bag module connector.
9. Install all lids.
10. Conduct self-diagnosis to ensure entire SRS operates properly. (Use CONSULT or warning lamp check.)  
Before performing self-diagnosis, connect both battery cables.
11. Turn steering wheel to the left end and then to the right end fully to make sure that spiral cable is set in the neutral position.  
If air bag warning lamp blinks or stays ON (at the user mode), it shows the spiral cable may be snapped due to its improper position. Perform self-diagnosis again (use CONSULT or warning lamp). If a malfunction is detected, replace the spiral cable with a new one.



### Installation — Front Passenger Air Bag Module

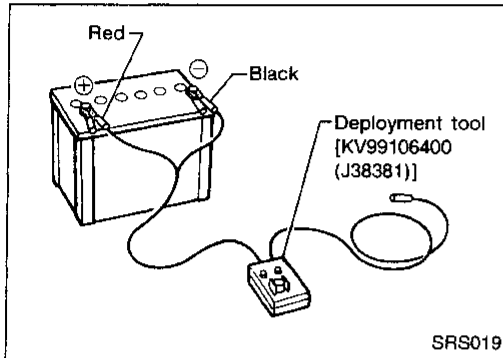
- Always work from the side of or under air bag module.
1. Install front passenger air bag module on steering member.
  2. Install instrument panel.
  3. Connect air bag module connector to body harness connector.
  4. Install air bag module connector on connector bracket.
  5. Install connector bracket on air bag module.



## Disposal of Air Bag Module

- Before disposing of air bag module or vehicle equipped with such a system, deploy the system. If such a system has already been deployed due to an accident, dispose of as indicated in the section "DISPOSING OF AIR BAG MODULE".
- Do not dispose of the air bag module un-deployed.
- When deploying the air bag module, always use the Special Service Tool; Deployment tool KV99106400 (Kent-Moore No. J38381).
- When deploying the air bag module, stand at least 5 m (16 ft) away from the air bag module.
- Due to heat, leave air bag module unattended for more than 30 minutes after deployment.
- Be sure to wear gloves when handling a deployed air bag module.
- Never apply water to a deployed air bag module.
- Wash your hands clean after finishing work.

GI  
 MA  
 EM  
 LC  
 EC  
 FE  
 CL  
 MT  
 AT  
 PD  
 FA  
 RA  
 BR  
 ST  
 RS  
 BT  
 HA  
 EL  
 IDX



### CHECKING DEPLOYMENT TOOL

#### Connecting to battery

- Place the vehicle outdoors in an open space of at least 6 m (20 ft) on all sides.
- Use a voltmeter to make sure the vehicle battery is fully charged.

#### CAUTION:

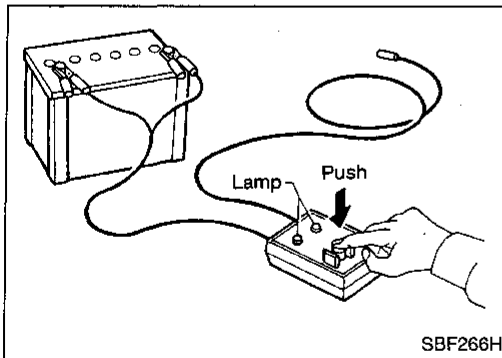
**The battery must show voltage of 9.6V or more.**

Remove the battery from the vehicle and place it on dry wood blocks approximately 5 m (16 ft) away from the vehicle.

- Wait 10 to 12 minutes after the vehicle battery is disconnected before proceeding.
- Connect red clip of deployment tool to battery positive terminal and black clip to negative terminal.

#### CAUTION:

**Make sure the polarity is correct. The right side lamp in the tool, marked "deployment tool power", should glow with a green light. If the right side lamp glows red, reverse the connections to the battery.**



#### Deployment tool check

Press the deployment tool switch to the "ON" position. The left side lamp in the tool, marked "air bag connector voltage" should illuminate. If it does not illuminate, replace the tool.

#### Air bag deployment tool lamp illumination chart (Battery connected)

Switch operation	Left side lamp, green* "AIR BAG CONNECTOR VOLTAGE"	Right side lamp, green* "DEPLOYMENT TOOL POWER"
OFF	OFF	ON
ON	ON	ON

\*: If this lamp glows red, the tool is connected to the battery incorrectly. Reverse the connections and make sure the lamp glows green.

## SUPPLEMENTAL RESTRAINT SYSTEM (SRS)

### Disposal of Air Bag Module (Cont'd)

#### DEPLOYMENT PROCEDURES FOR AIR BAG MODULE (OUTSIDE OF VEHICLE)

Unless the vehicle is being scrapped, deploying the air bag in the vehicle is not recommended. This may cause damage to the vehicle interior.

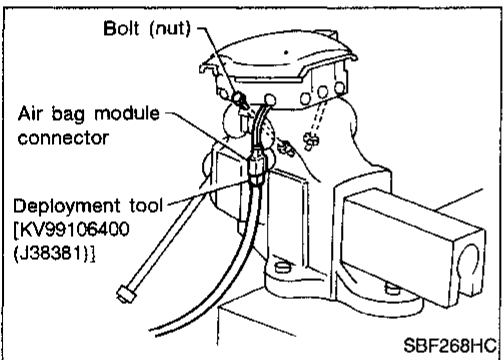
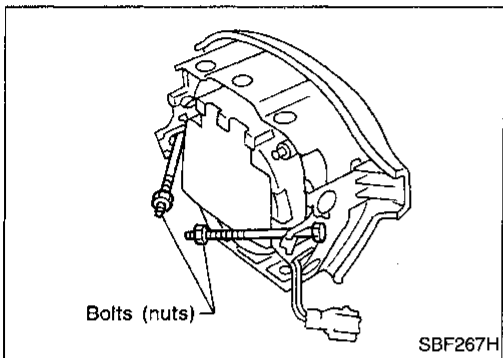
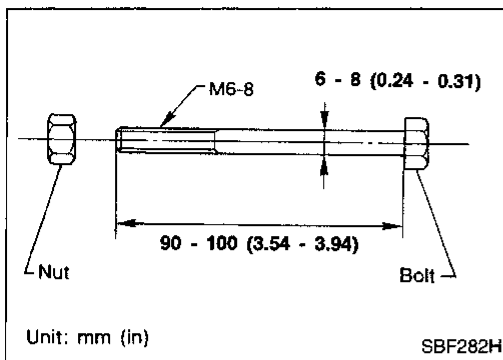
Anchor air bag module in a vise secured to a firm foundation during deployment.

#### Deployment of driver's air bag module as a unit

1. Prepare two sets of nuts and bolts (see figure at left). These bolts are required to secure driver's air bag module to the vise.
2. Install one set of nuts and bolts to each side of the air bag module.

#### CAUTION:

**Make sure to install two bolts and nuts on each side.**

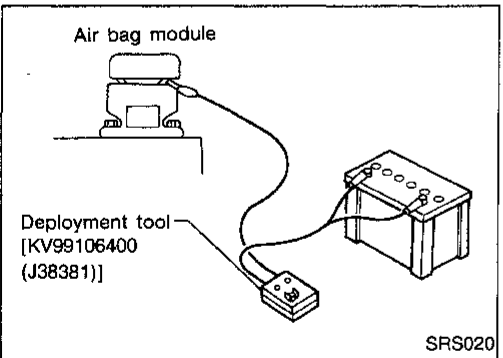


3. Firmly place two nuts (secured to air bag module) in the vise.

#### CAUTION:

**Ensure these two nuts are equally placed in the vise. Never finish the installation with just one nut.**

4. Connect deployment tool (SST: KV99106400) to air bag module connector.



5. Connect red clip of deployment tool to battery positive terminal and black clip to negative terminal.

6. The lamp on the right side of the tool, marked "deployment tool power", should glow green, not red.

7. Press the button on the deployment tool. The left side lamp on the tool, marked "air bag connector voltage", will illuminate and the air bag module will deploy.

#### CAUTION:

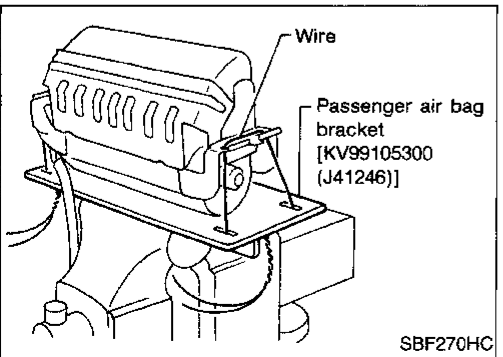
**When deploying the air bag module, stand at least 5 m (16 ft) away from the air bag module.**

#### Deployment of passenger air bag module as a unit

1. Using wire, secure air bag module to passenger air bag bracket (SST: KV99105300) at two places.

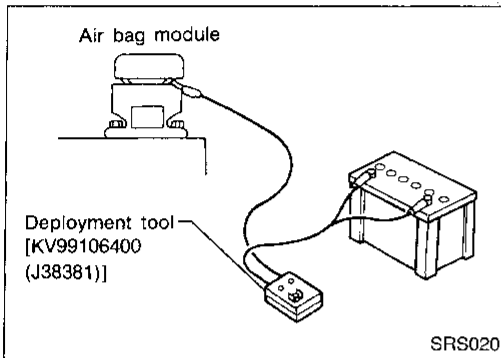
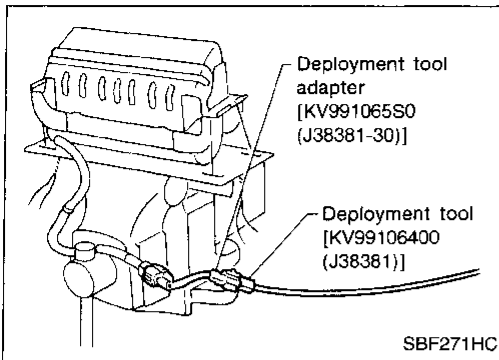
#### CAUTION:

**Use wire of at least 1 mm (0.04 in) in diameter.**



# SUPPLEMENTAL RESTRAINT SYSTEM (SRS)

## Disposal of Air Bag Module (Cont'd)



2. Firmly anchor passenger air bag bracket in a vise.
3. Connect deployment tool adapter (SST: KV991065S0) to deployment tool (SST: KV99106400) connector and connector on either side of air bag module.

4. Connect red clip of deployment tool to battery positive terminal and black clip to negative terminal.
5. The lamp on the right side of the tool, marked "deployment tool power", should glow green, not red.
6. Press the button on the deployment tool. The left side lamp on the tool, marked "air bag connector voltage", will illuminate and the air bag module will deploy.

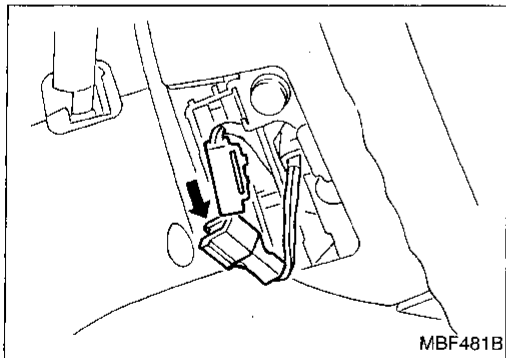
**CAUTION:**

**When deploying the air bag module, stand at least 5 m (16 ft) away from the air bag module.**

7. Activate the other inflator.

**CAUTION:**

**Always activate one inflator at a time.**



## DEPLOYMENT OF AIR BAG MODULE WHILE MOUNTED IN VEHICLE

When disposing of vehicles, deploy air bag module while it is mounted in vehicle.

**CAUTION:**

**When deploying air bag module, ensure vehicle is empty.**

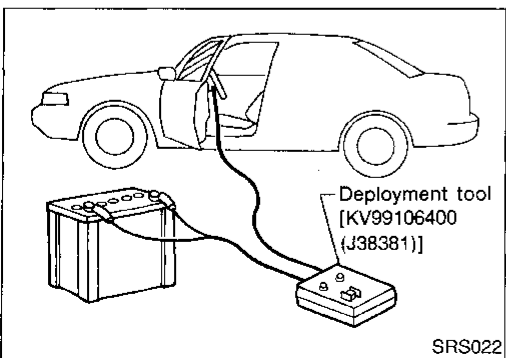
1. Disconnect the vehicle battery ground cable and wait 10 minutes.
2. Disconnect air bag module connector.
3. Connect deployment tool connector (SST: KV99106400) to air bag module.

For front passenger air bag module, attach deployment tool adapters (SST: KV991065S0) to the tool connector.

4. Connect red clip of deployment tool to battery positive terminal and black clip to negative terminal.
5. The lamp on the right side of the tool, marked "deployment tool power", should glow green, not red.
6. Press the button on the deployment tool. The left side lamp on the tool, marked "air bag connector voltage", will illuminate. Then the air bag module will deploy.

**CAUTION:**

**Activate only one passenger air bag module inflator at a time.**



GI

MA

EM

LC

EC

FE

CL

MT

AT

PD

FA

RA

BR

ST

RS

BT

HA

EL

IDX

## SUPPLEMENTAL RESTRAINT SYSTEM (SRS)

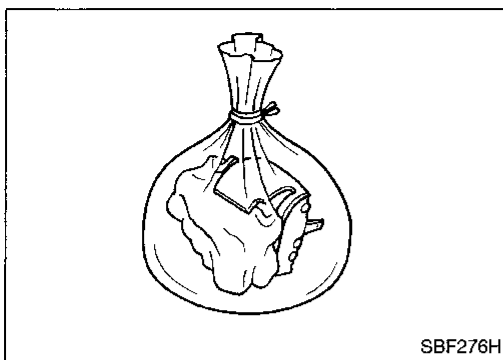
### Disposal of Air Bag Module (Cont'd)

#### DISPOSING OF AIR BAG MODULE

Deployed air bag module is very hot. Before disposing of air bag module, wait at least 30 minutes. Seal them in a vinyl bag before disposal.

#### CAUTION:

- Never apply water to a deployed air bag module.
- Be sure to wear gloves when handling a deployed air bag module.
- No poisonous gas is produced upon air bag module deployment. However, be careful not to inhale gas since it irritates throat and can cause choking.
- Do not attempt to disassemble air bag module.
- Air bag module cannot be re-used.
- Wash your hands clean after finishing work.



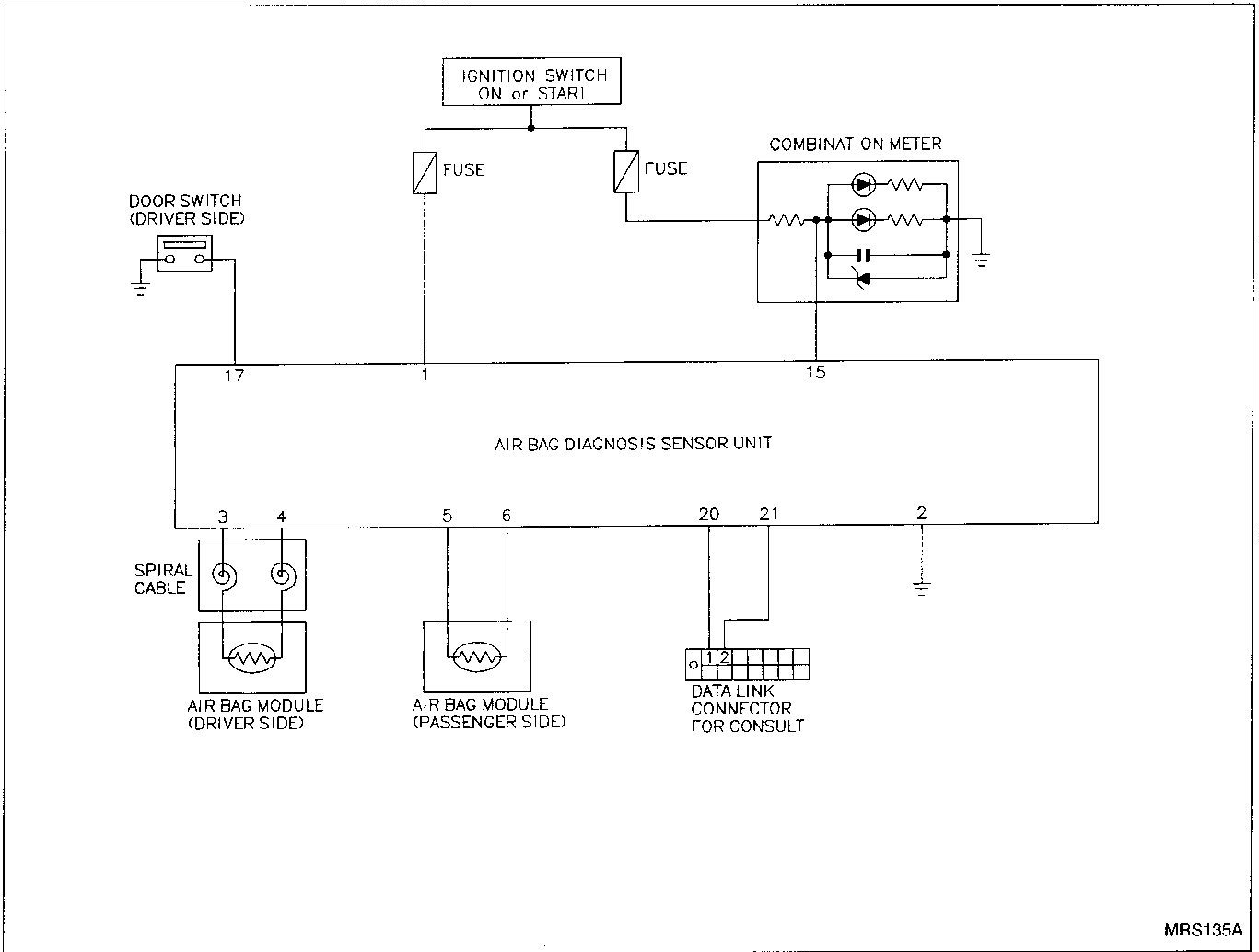
SBF276H



## Schematic

**CAUTION:**

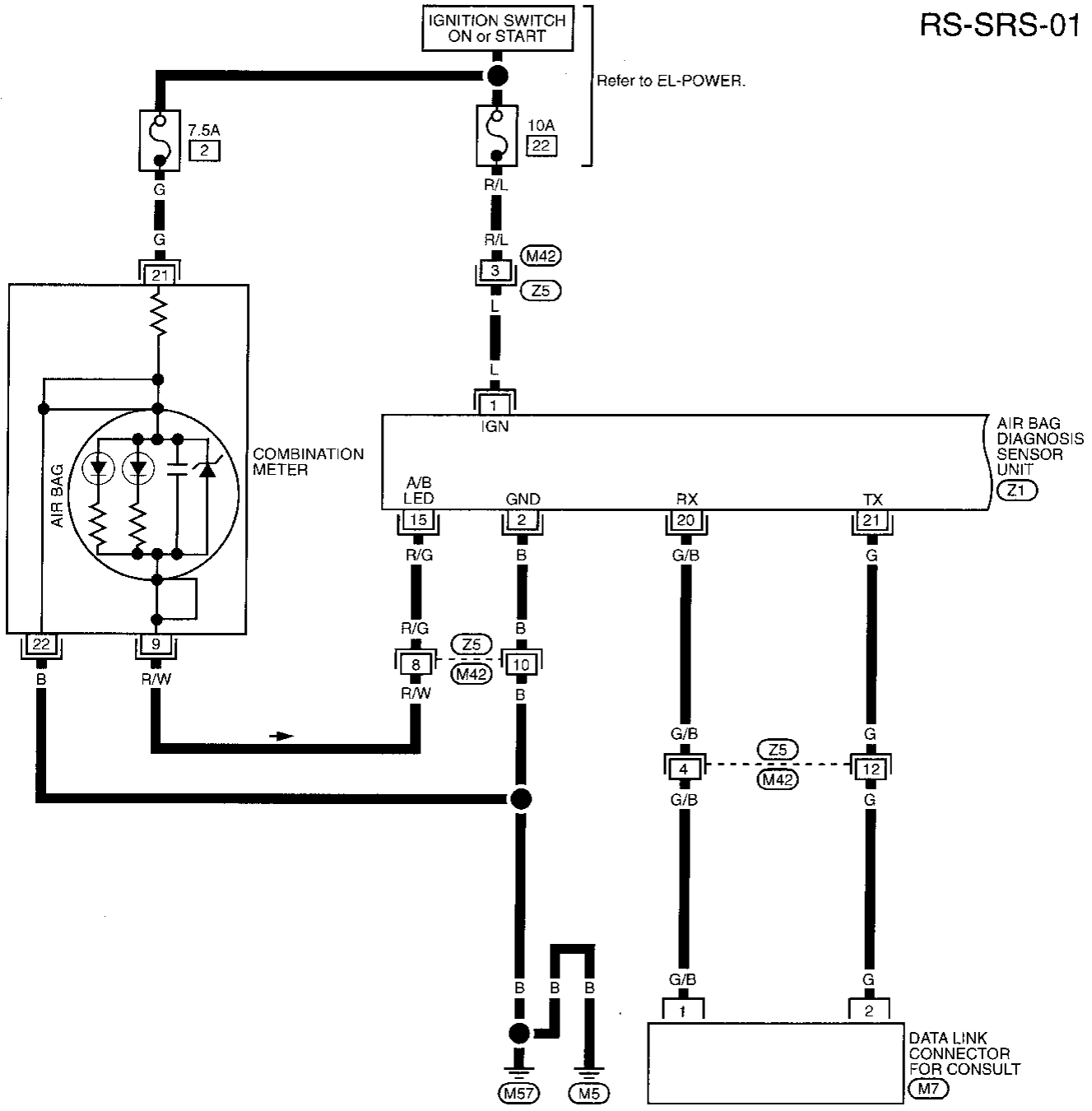
- Do not use electrical test equipment on any circuit related to the SRS unless instructed to in this Service Manual. SRS wiring harnesses are covered with yellow insulation either just before the harness connectors or for the complete harness, for easy identification.
- Do not attempt to repair, splice or modify the SRS "Air Bag" wiring harness. If the harness is damaged, replace it with a new one.
- Keep ground portion clean.



GI  
 MA  
 EM  
 LC  
 EC  
 FE  
 CL  
 MT  
 AT  
 PD  
 FA  
 RA  
 BR  
 ST  
**RS**  
 BT  
 HA  
 EL  
 DX

Wiring Diagram — SRS —

RS-SRS-01



1	2	3	4	5	6	7
8	9	10	11	12	13	14

(M7)  
GY

1	2	3	4	5
6	7	8	9	10

(Z5)  
Y

1	2	3	4	5	6
7	8	9	10	11	12

(M7B)  
Y

26	27	28	29	30
21	22	23	24	25

(M72)  
W

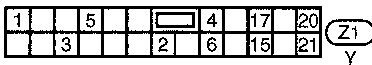
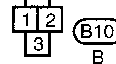
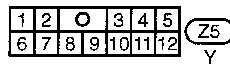
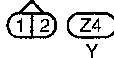
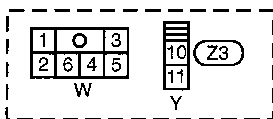
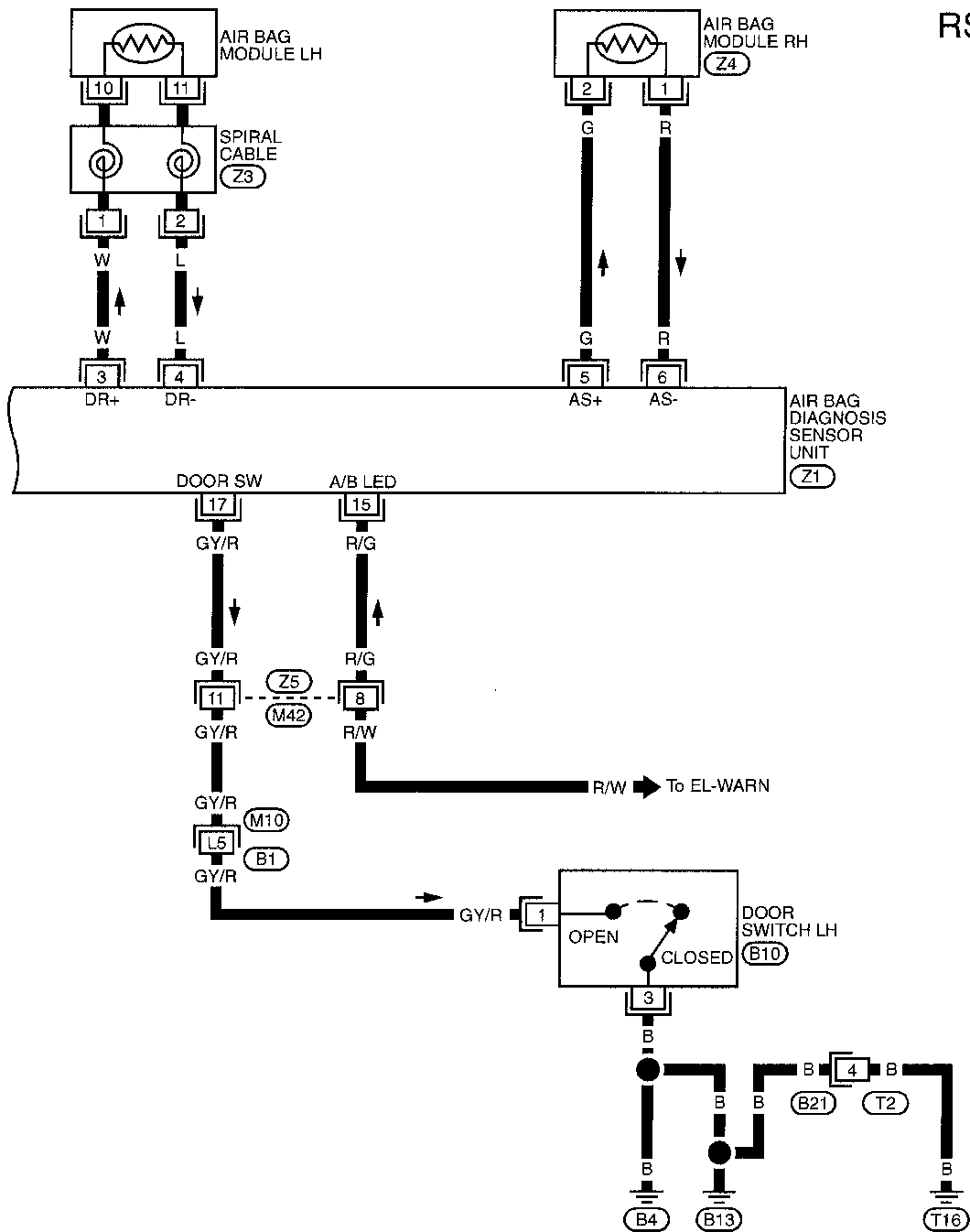
1		5		4	17	20
	3		2	6	15	21

(Z1)  
Y

# TROUBLE DIAGNOSES — Supplemental Restraint System (SRS)

## Wiring Diagram — SRS — (Cont'd)

RS-SRS-02



Refer to last page (Foldout page).  
(M10), (B1)

GI  
MA  
EM  
LC  
EC  
FE  
CL  
MT  
AT  
PD  
FA  
RA  
BR  
ST  
RS  
BT  
HA  
EL  
IDX

## How to Perform Trouble Diagnoses for Quick and Accurate Repair

A good understanding of the malfunction conditions can make troubleshooting faster and more accurate. In general, each customer feels differently about a problem. It is important to fully understand the symptoms or conditions for a customer complaint.

### INFORMATION FROM CUSTOMER

- WHAT ..... Vehicle model
- WHEN ..... Date, Frequencies
- WHERE ..... Road conditions
- HOW ..... Operating conditions, Symptoms

### PRELIMINARY CHECK

Check that the following parts are in good order.

- Battery [Refer to MA section (“GENERAL MAINTENANCE”).]
- Fuse [Refer to EL section (“Fuse”, “POWER SUPPLY ROUTING”).]
- System component-to-harness connections

### DIAGNOSIS FUNCTION

The SRS self-diagnosis results can be read by using “AIR BAG” warning lamp and/or CONSULT.

The reading of these results is accomplished using one of two modes — “User mode” and “Diagnosis mode”. The User mode is exclusively prepared for the customer (driver). This mode warns the driver of a system malfunction through the operation of the “AIR BAG” warning lamp.

The Diagnosis mode allows the technician to locate and inspect the malfunctioning part.

The mode applications for the “AIR BAG” warning lamp and CONSULT are as follows:

	User mode	Diagnosis mode	Display type
“AIR BAG” warning lamp	X	X	ON-OFF operation
CONSULT	—	X	Monitoring

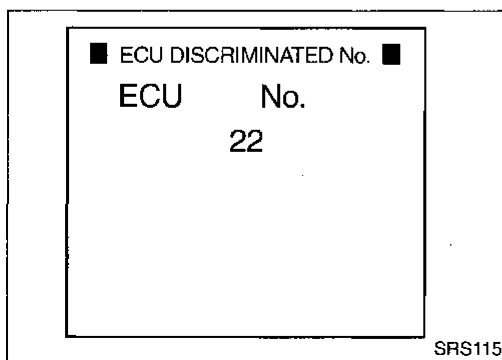
### DIAGNOSIS MODE FOR CONSULT

#### • SELF-DIAG [CURRENT]

A current Self-diagnosis result (also indicated by the number of warning lamp flashes in the Diagnosis mode) is displayed on the CONSULT screen in real time. This refers to a malfunctioning part requiring repairs.

#### • SELF-DIAG [PAST]

Diagnosis results previously stored in the memory (also indicated by the warning lamp flashes in the User mode) are displayed on the CONSULT screen. The stored results are not erased until memory erasing is executed.



#### • ECU DISCRIMINATED NO.

The diagnosis sensor unit for each vehicle model is assigned with its own, individual classification number. This number will be displayed on the CONSULT screen, as shown at left. When replacing the diagnosis sensor unit, refer to the part number for the compatibility. After installation, replacement with a correct unit can be checked by confirming this classification number on the CONSULT screen.

**For NISSAN model S14, the diagnosis sensor unit classification number assigned is 22.**

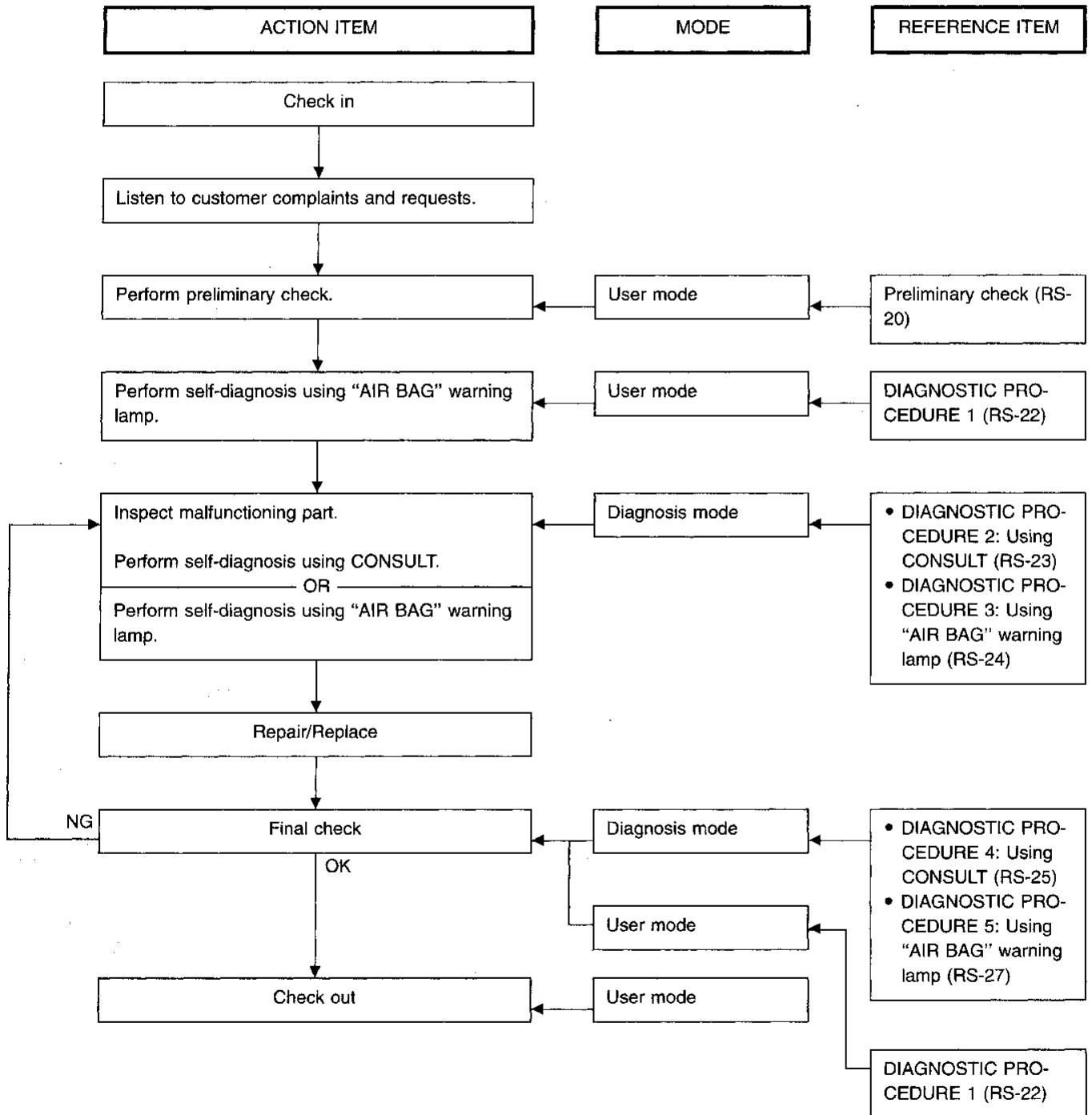
# TROUBLE DIAGNOSES — Supplemental Restraint System (SRS)

## How to Perform Trouble Diagnoses for Quick and Accurate Repair (Cont'd)

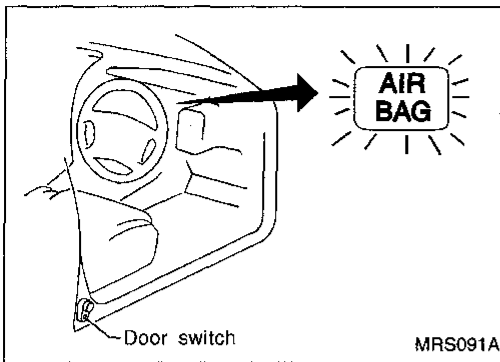
**CAUTION:**

- Do not use electrical test equipment on any circuit related to the SRS unless instructed to in this Service Manual. SRS wiring harnesses are covered with yellow insulation either just before the harness connectors or for the complete harness, for easy identification.
- Do not attempt to repair, splice or modify the SRS wiring harness. If the harness is damaged, replace it with a new one.
- Keep ground portion clean.

**WORK FLOW**



GI  
 MA  
 EM  
 LC  
 EC  
 FE  
 CL  
 MT  
 AT  
 PD  
 FA  
 RA  
 BR  
 ST  
**RS**  
 BT  
 HA  
 EL  
 IDX



## Self-diagnosis

### DIAGNOSTIC PROCEDURE 1 (⊗ without CONSULT) Checking SRS operation by using “AIR BAG” warning lamp — User mode

1. After turning ignition switch from “OFF” to “ON”, “AIR BAG” warning lamp operates.
2. Compare “AIR BAG” warning lamp operation to the chart below.

“AIR BAG” warning lamp operation — User mode —	SRS condition	Reference item
<p>MRS095A</p>	No malfunction is detected. No further action is necessary.	—
<p>MRS096A</p>	The system has problem and needs to be repaired as indicated.	Go to DIAGNOSTIC PROCEDURE 2, or 3 (RS-23 or 24).
<p>MRS097A</p>	Air bag is deployed.  Fuse, diagnosis sensor unit or harness is malfunctioning and needs to be repaired.	Go to COLLISION DIAGNOSIS (RS-37).  Go to DIAGNOSTIC PROCEDURE 8 (RS-35).
<p>MRS098A</p>	Diagnosis sensor unit or “AIR BAG” warning lamp circuit is shorted or open and needs to be repaired.	Go to DIAGNOSTIC PROCEDURE 9 (RS-35).

#### NOTE:

If “AIR BAG” warning lamp operates differently from the operations shown above, refer to “AIR BAG” warning lamp operation — Diagnosis mode —, DIAGNOSTIC PROCEDURE 5, RS-27. Then repair as necessary.

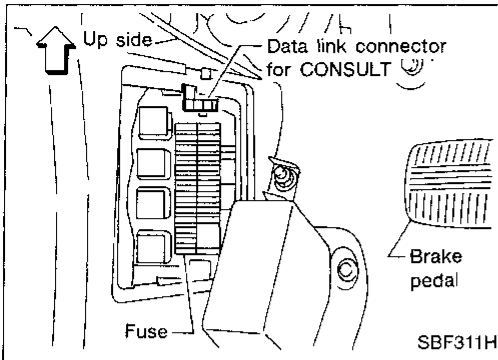
# TROUBLE DIAGNOSES — Supplemental Restraint System (SRS)

## Self-diagnosis (Cont'd)

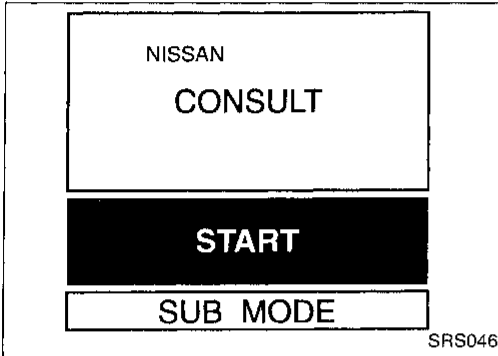
### DIAGNOSTIC PROCEDURE 2 (CONSULT) with CONSULT

#### Inspecting SRS malfunctioning parts by using CONSULT — Diagnosis mode

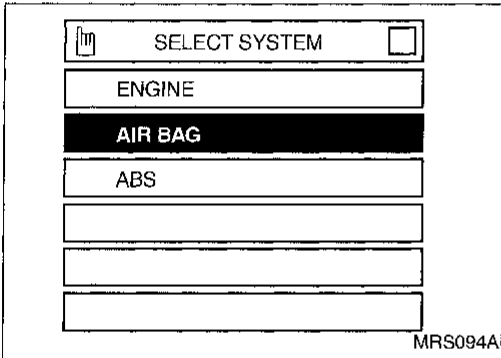
1. Turn ignition switch "OFF".
2. Connect "CONSULT" to Data link connector.



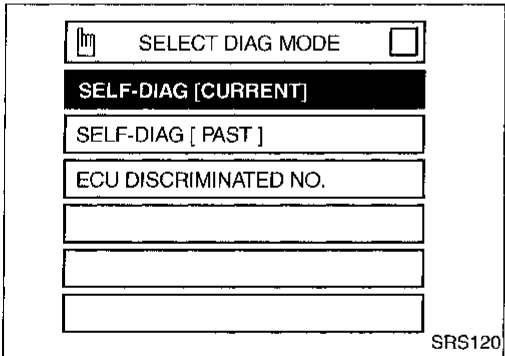
3. Turn ignition switch "ON".
4. Touch "START".



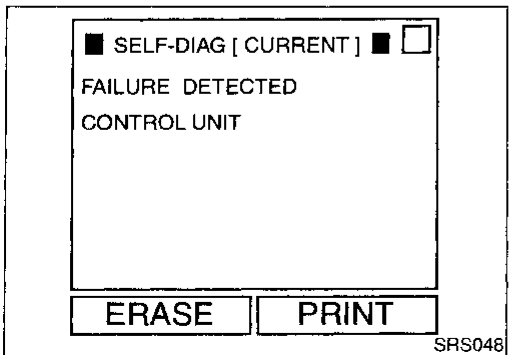
5. Touch "AIR BAG".



6. Touch "SELF-DIAG [CURRENT]".



7. Diagnostic codes are displayed on "SELF-DIAG [CURRENT]".



GI

MA

EM

LC

EC

FE

CL

MT

AT

PD

FA

RA

BR

ST

RS

BT

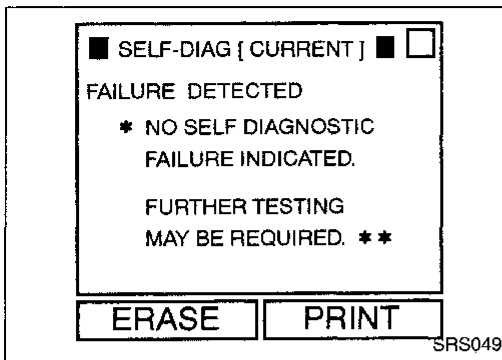
HA

EL

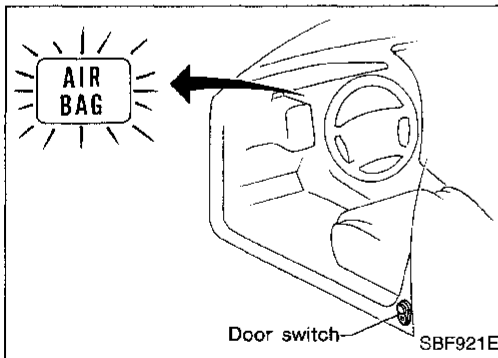
IDX

## Self-diagnosis (Cont'd)

If no self-diagnostic failure is detected on "SELF-DIAG [CURRENT]", go to DIAGNOSTIC PROCEDURE 6, page RS-29.



8. Touch "PRINT".
9. Compare diagnostic codes to the CONSULT DIAGNOSTIC CODE CHART, page RS-32.
10. Touch "BACK" key of CONSULT until SELECT SYSTEM appears, then turn off CONSULT.
11. Turn ignition switch "OFF", then disconnect CONSULT and both battery cables.
12. Repair the system as outlined by the "Repair order" in CONSULT DIAGNOSTIC CODE CHART, that corresponds to the problem code. For replacement procedure of component parts, refer to RS-8.
13. After repairing the system, go to DIAGNOSTIC PROCEDURE 4, page RS-25.



### DIAGNOSTIC PROCEDURE 3 (⊗ without CONSULT) Inspecting SRS malfunctioning parts by using "AIR BAG" warning lamp — Diagnosis mode

1. Open driver's door.
2. Turn ignition switch from "OFF" to "ON".
3. Press driver's door switch at least 5 times within 7 seconds after turning ignition switch "ON".  
SRS is now in Diagnosis mode.
4. "AIR BAG" warning lamp operates in Diagnosis mode as follows:

#### NOTE:

If SRS does not enter diagnostic mode, go to DIAGNOSTIC PROCEDURE 10, page RS-36.

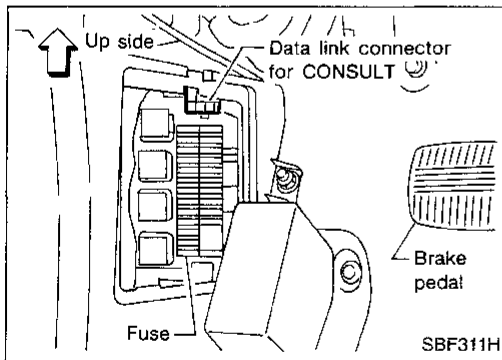


# TROUBLE DIAGNOSES — Supplemental Restraint System (SRS)

## Self-diagnosis (Cont'd)

No.	"AIR BAG" warning lamp operation — Diagnosis mode —	SRS condition
1	<div style="text-align: right; margin-bottom: 5px;">(a) through (b) are repeated.</div> <p style="text-align: center; margin-top: 10px;">MRS100A</p>	<p>Intermittent problem has been detected in the past. Go to DIAGNOSTIC PROCEDURE 7 (RS-30).</p>
2	<div style="text-align: right; margin-bottom: 5px;">(a) through (d) are repeated.</div> <div style="margin-bottom: 5px;">NOTE:</div> <div style="margin-bottom: 5px;">(a) — Interval I</div> <div style="margin-bottom: 5px;">(b) — Start signal (Start signal identifies display modes)</div> <div style="margin-bottom: 5px;">(c) — Interval II</div> <div style="margin-bottom: 5px;">(d) — Indicates malfunctioning part (0.5 sec. ON and 0.5 sec. OFF is counted as one flash.)</div> <p style="text-align: center; margin-top: 10px;">MRS099A</p>	<p>The system has problem and needs to be repaired.</p>

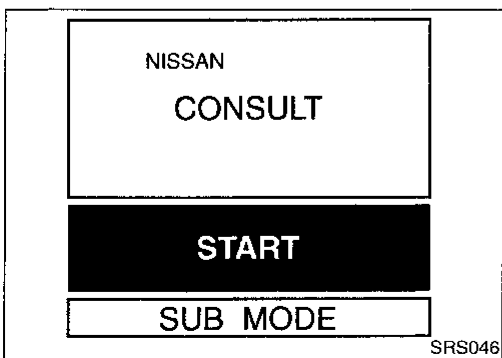
5. Malfunctioning part is indicated by the number of flashes (part (d)). Compare the number of flashes to WARNING LAMP FLASH CODE CHART, page RS-33, and locate malfunctioning part.
6. Turn ignition switch "OFF", and disconnect both battery cables.
7. Repair the system as outlined by the "Repair order" in WARNING LAMP FLASH CODE CHART that corresponds to the flash code. For replacement procedure of component parts, refer to RS-8.
8. After repairing the system, go to DIAGNOSTIC PROCEDURE 5, page RS-27.



### DIAGNOSTIC PROCEDURE 4 (CONSULT) with CONSULT

#### Final checking after repairing SRS by using CONSULT — Diagnosis mode

1. After repairing SRS, connect both battery cables.
2. Connect CONSULT to Data link connector.
3. Turn ignition switch from "OFF" to "ON".
4. Touch "START".



# TROUBLE DIAGNOSES — Supplemental Restraint System (SRS)

## Self-diagnosis (Cont'd)

5. Touch "AIR BAG".

SELECT SYSTEM

ENGINE

**AIR BAG**

ABS

MRS094A

6. Touch "SELF-DIAG [CURRENT]".

SELECT DIAG MODE

**SELF-DIAG [CURRENT]**

SELF-DIAG [ PAST ]

ECU DISCRIMINATED NO.

SRS120

7. If no malfunction is detected on "SELF-DIAG [CURRENT]", repair of SRS is completed. Touch "ERASE".

### NOTE:

Touch "ERASE" to erase problem (Trouble code) retained in memory. Otherwise, CONSULT still senses problem in memory when step 13 (Air bag warning lamp operation check) is performed. The result is confusing a new with an old problem.

SELF-DIAG [ CURRENT ]

FAILURE DETECTED

\* NO SELF DIAGNOSTIC FAILURE INDICATED.

FURTHER TESTING MAY BE REQUIRED. \*\*

ERASE PRINT

SRS049

If any problem code was displayed on "SELF-DIAG [CURRENT]", the malfunctioning part is not repaired completely or another malfunctioning part is detected. Go to DIAGNOSTIC PROCEDURE 2, page RS-23, and repair malfunctioning part completely.

8. Touch "BACK" key of CONSULT.

SELF-DIAG [ CURRENT ]

FAILURE DETECTED

CONTROL UNIT

ERASE PRINT

SRS048

9. Touch "SELF-DIAG [PAST]".

SELECT DIAG MODE

SELF-DIAG [CURRENT]

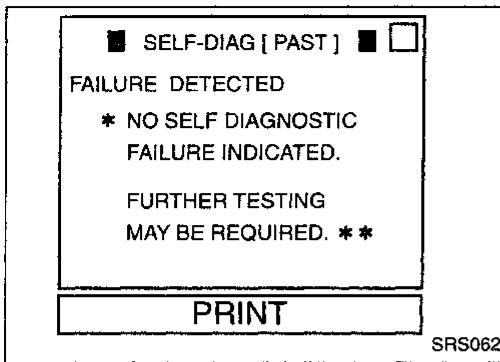
**SELF-DIAG [ PAST ]**

ECU DISCRIMINATED NO.

SRS121

# TROUBLE DIAGNOSES — Supplemental Restraint System (SRS)

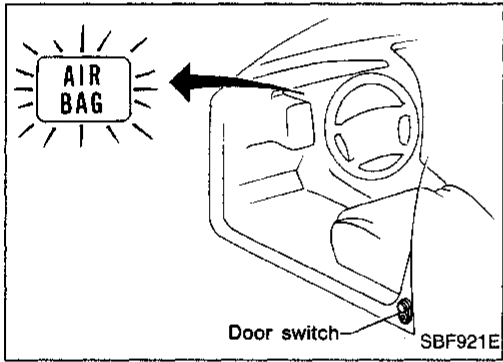
## Self-diagnosis (Cont'd)



10. Check that no self-diagnostic failure is detected on "SELF-DIAG [PAST]".

11. Touch "BACK" key of CONSULT until SELECT SYSTEM appears, turn off CONSULT, then disconnect CONSULT.
12. Turn ignition switch "OFF".
13. Go to DIAGNOSTIC PROCEDURE 1, page RS-22 to check-SRS operation by using "AIR BAG" warning lamp in User mode.

GI  
MA  
EM  
LC  
EC  
FE  
CL



### DIAGNOSTIC PROCEDURE 5 (⌚ without CONSULT) Final checking after repairing SRS by using "AIR BAG" warning lamp — Diagnosis mode and User mode

1. After repairing SRS connect both battery cables.
2. Open driver's door.
3. Turn ignition switch from "OFF" to "ON".
4. "AIR BAG" warning lamp operates in diagnostic mode as follows:

MT  
AT  
PD  
FA  
RA

No.	"AIR BAG" warning lamp operation — Diagnosis mode —	SRS condition
1	<p style="text-align: right;">(a) through (b) are repeated.</p>	No malfunction is detected or repair is completed. No further action is necessary.
2	<p style="text-align: right;">(a) through (d) are repeated. NOTE: (a) — Interval I (b) — Start signal (Start signal identifies display modes) (c) — Interval II (d) — Indicates malfunctioning part (0.5 sec. ON and 0.5 sec. OFF is counted as one flash.)</p>	The system has problem and needs to be repaired.

BR  
ST  
RS  
BT  
HA  
EL  
IDX

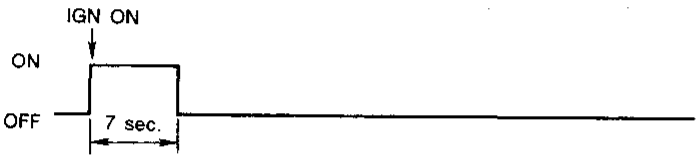
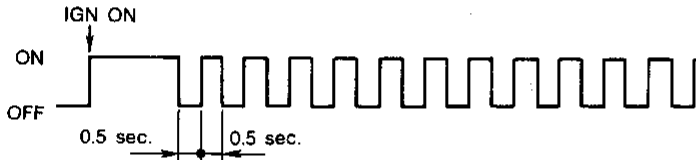

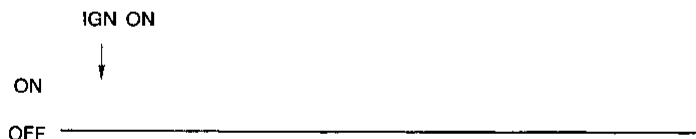
# TROUBLE DIAGNOSES — Supplemental Restraint System (SRS)

## Self-diagnosis (Cont'd)

- If "AIR BAG" warning lamp operates as shown in No. 1 in the chart above, press driver's door switch at least 5 times within 7 seconds after turning ignition switch "ON". SRS is not in User mode.

If "AIR BAG" warning lamp operates as No. 2 in chart above, the malfunctioning part is not repaired completely, or another malfunctioning part is detected. Go to DIAGNOSTIC PROCEDURE 3, page RS-24, and repair malfunctioning part completely.

- Turn ignition switch "ON". "AIR BAG" warning lamp operates in User mode. Compare "AIR BAG" warning lamp operation to the chart below.

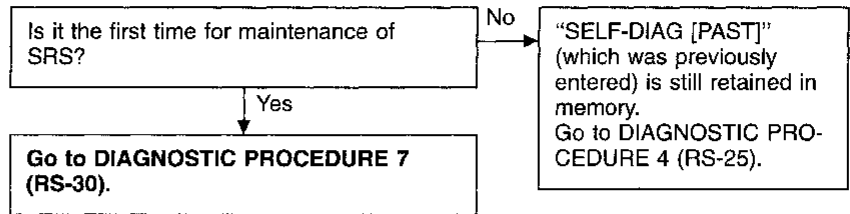
"AIR BAG" warning lamp operation — User mode —	SRS condition	Reference item
 <p>MRS095A</p>	No malfunction is detected. No further action is necessary.	—
 <p>MRS096A</p>	The system has problem and needs to be repaired as indicated.	Go to DIAGNOSTIC PROCEDURE 2 or 3 (RS-23 or 24).
 <p>MRS097A</p>	Air bag is deployed.  Diagnosis sensor unit fuse or circuit is faulty and needs to be repaired.	Go to COLLISION DIAGNOSIS (RS-37).  Go to DIAGNOSTIC PROCEDURE 8 (RS-35).
 <p>MRS098A</p>	Diagnosis sensor unit or "AIR BAG" warning lamp circuit is shorted or open and needs to be repaired.	Go to DIAGNOSTIC PROCEDURE 9 (RS-35).

# TROUBLE DIAGNOSES — Supplemental Restraint System (SRS)

## Self-diagnosis (Cont'd)

### DIAGNOSTIC PROCEDURE 6 (Continued from DIAGNOSTIC PROCEDURE 2)

#### Inspecting SRS malfunctioning record



GI

MA

EM

LC

EC

FE

CL

MT

AT

PD

FA

RA

BR

ST

**RS**

BT

HA

EL

IDX

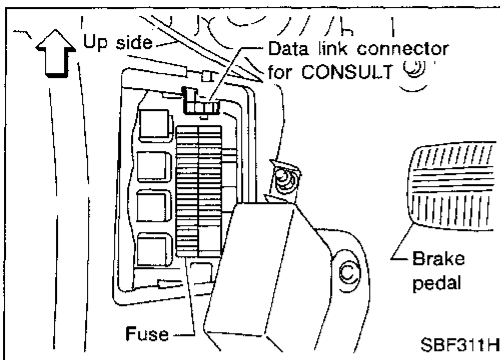
# TROUBLE DIAGNOSES — Supplemental Restraint System (SRS)

## Self-diagnosis (Cont'd)

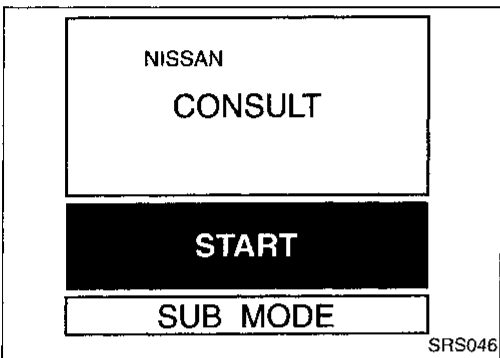
### DIAGNOSTIC PROCEDURE 7 (CONSULT) with CONSULT

#### Inspecting SRS intermittent problem by using CONSULT — Diagnosis mode

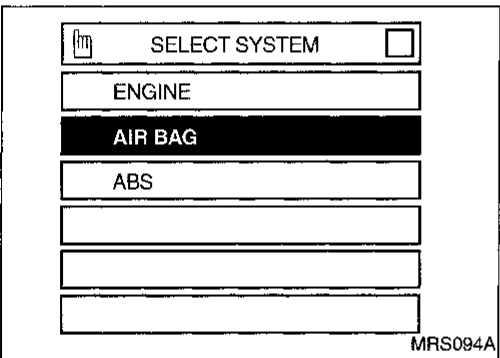
1. Turn ignition switch "OFF".
2. Connect "CONSULT" to Data link connector.



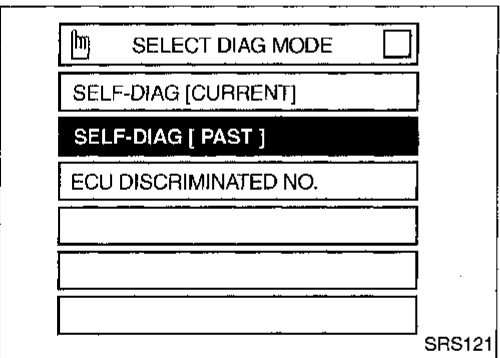
3. Turn ignition switch "ON".
4. Touch "START".



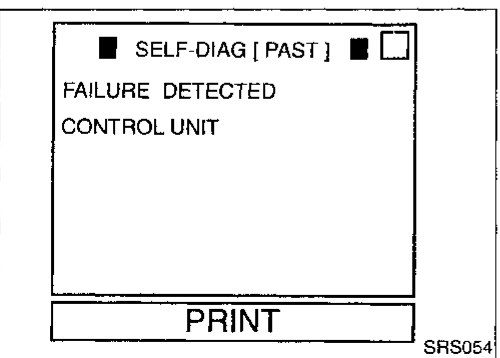
5. Touch "AIR BAG".



6. Touch "SELF-DIAG [PAST]".



7. Diagnostic codes are displayed on "SELF-DIAG [PAST]".



## Self-diagnosis (Cont'd)

8. Touch "PRINT".
9. Compare diagnostic codes to the INTERMITTENT PROBLEM DIAGNOSTIC CODE CHART, page RS-34.
10. Touch "BACK" key of CONSULT until SELECT SYSTEM appears, then turn off CONSULT.
11. Turn ignition switch "OFF", then disconnect CONSULT and both battery cables.
12. Repair the system as outlined by the "Repair order" in INTERMITTENT PROBLEM DIAGNOSTIC CODE CHART, that corresponds to the problem code. For replacement procedure of component parts, refer to RS-8.
13. Go to DIAGNOSTIC PROCEDURE 1, page RS-22, to check-SRS operation by using "AIR BAG" warning lamp in User mode.

GI

MA

EM

LC

EC

FE

CL

MT

AT

PD

FA

RA

BR

ST

**RS**

BT

HA

EL

DX

# TROUBLE DIAGNOSES — Supplemental Restraint System (SRS)

## Self-diagnosis (Cont'd)

### CONSULT DIAGNOSTIC CODE CHART

Diagnostic item	Explanation	Repair order Recheck SRS at each replacement.
NO SELF DIAGNOSTIC FAILURE INDICATED.	Normal. The SRS system is in good order.	—
AIRBAG MODULE [OPEN]	The circuit for driver's air bag module is open. (including the spiral cable)	<ol style="list-style-type: none"> <li>1. Visually check the wiring harness connections.</li> <li>2. Replace the spiral cable.</li> <li>3. Replace driver's air bag module. (Before disposing of it, it must be deployed.)</li> <li>4. Replace the diagnosis sensor unit.</li> <li>5. Replace the air bag harness.</li> </ol>
AIRBAG MODULE [VB-SHORT]	The circuit for driver's air bag module is shorted to some power supply circuit. (including the spiral cable)	
AIRBAG MODULE [GND-SHORT]	The circuit for driver's air bag module is shorted to ground. (including the spiral cable)	
AIRBAG MODULE [SHORT]	The circuits for driver's air bag module are shorted to each other.	
ASSIST A/B MODULE [OPEN]	The circuit for front passenger air bag module is open.	
ASSIST A/B MODULE [VB-SHORT]	The circuit for front passenger air bag module is shorted to some power supply circuit.	
ASSIST A/B MODULE [GND-SHORT]	The circuit for front passenger air bag module is shorted to ground.	
ASSIST A/B MODULE [SHORT]	The circuits for front passenger air bag module are shorted to each other.	
CONTROL UNIT	The diagnosis sensor unit is out of order.	<ol style="list-style-type: none"> <li>1. Visually check the wiring harness connections.</li> <li>2. Replace the diagnosis sensor unit.</li> <li>3. Replace the air bag harness.</li> <li>4. Replace the main harness.</li> </ol>
CONTROL UNIT [33]	The diagnosis sensor unit is out of order.	
CONTROL UNIT [C6]		
CONTROL UNIT [D4]		
CONTROL UNIT [C6]		
CONTROL UNIT [C1]	Low battery voltage (less than 9V) or the diagnosis sensor unit is out of order.	<ol style="list-style-type: none"> <li>1. When battery voltage is low, go to DIAGNOSTIC PROCEDURE 4 (RS-25) after charging battery. (The diagnosis sensor unit is normal. Do not replace.)</li> <li>2. When battery is normal, replace the diagnosis sensor unit</li> </ol>

\* Follow the procedures in numerical order when repairing malfunctioning parts. Confirm whether malfunction is eliminated using the air bag warning lamp (in user mode) or CONSULT each time repair is finished. If malfunction is still observed, proceed to the next step. When malfunction is eliminated, further repair work is not required.



# TROUBLE DIAGNOSES — Supplemental Restraint System (SRS)

## Self-diagnosis (Cont'd)

### WARNING LAMP FLASH CODE CHART

Warning lamp	Flash code (d) (# of flashes)	Explanation	Repair order Recheck SRS at each replacement.	
"AIR BAG" warning lamp	0	No malfunction is detected.	—	CI
	2	The driver's air bag module circuit is out of order.	<ol style="list-style-type: none"> <li>1. Visually check the wiring harness connections.</li> <li>2. Replace the spiral cable.</li> <li>3. Replace the driver's air bag module. (Before disposing of it, it must be deployed.)</li> <li>4. Replace the diagnosis sensor unit.</li> <li>5. Replace the air bag harness.</li> </ol>	MA  EM
	7	The diagnosis sensor unit is out of order.	<ol style="list-style-type: none"> <li>1. Visually check the wiring harness connections.</li> <li>2. Replace the diagnosis sensor unit.</li> <li>3. Replace the air bag harness.</li> <li>4. Replace the main harness.</li> </ol>	LC
	8	The front passenger air bag module circuit is out of order.	<ol style="list-style-type: none"> <li>1. Visually check the wiring harness connections.</li> <li>2. Replace the front passenger air bag module. (Before disposing of it, it must be deployed.)</li> <li>3. Replace the diagnosis sensor unit.</li> <li>4. Replace the air bag harness.</li> </ol>	EC  FE

\* Follow the procedures in numerical order when repairing malfunctioning parts. Confirm whether malfunction is eliminated using the air bag warning lamp (in user mode) or CONSULT each time repair is finished. If malfunction is still observed, proceed to the next step. When malfunction is eliminated, further repair work is not required.

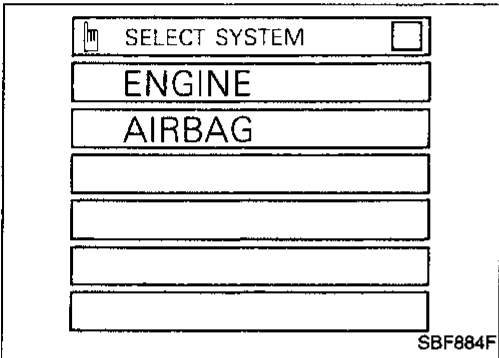
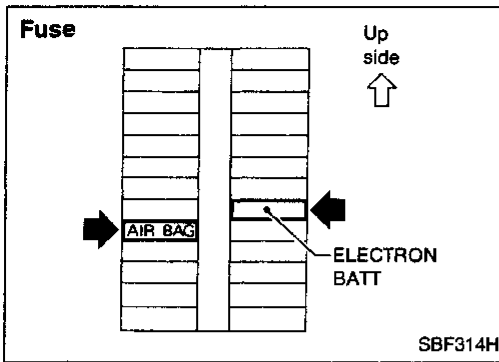
CI  
MA  
EM  
LC  
EC  
FE  
CL  
MT  
AT  
PD  
FA  
RA  
BR  
ST  
RS  
BT  
HA  
EL  
IDX

# TROUBLE DIAGNOSES — Supplemental Restraint System (SRS)

## Self-diagnosis (Cont'd)

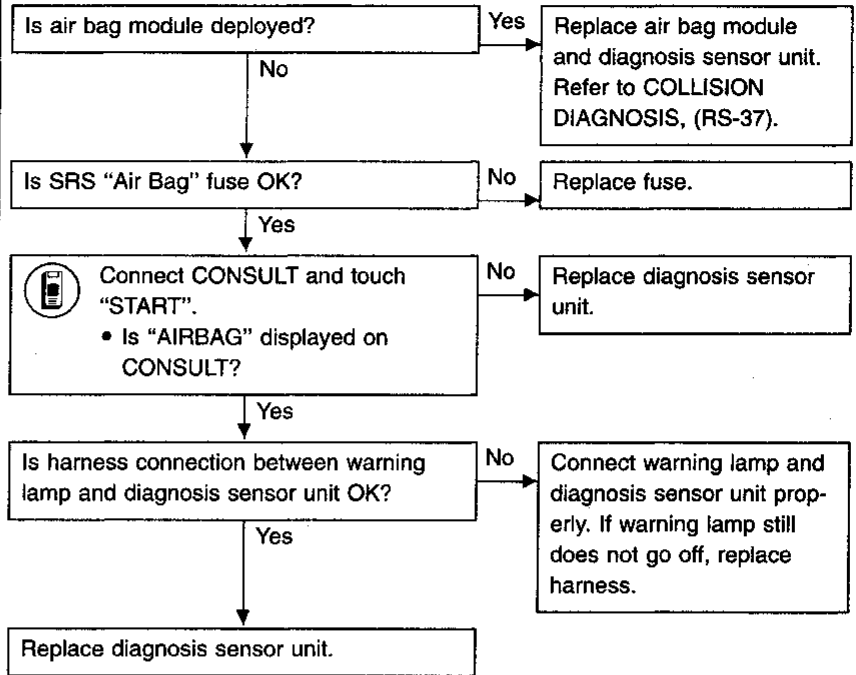
### INTERMITTENT PROBLEM DIAGNOSTIC CODE CHART

Diagnostic item	Explanation	Repair order Recheck SRS at each replacement.
NO SELF DIAGNOSTIC FAILURE INDICATED.	<ul style="list-style-type: none"> <li>No malfunction is detected.</li> </ul>	—
AIRBAG MODULE [VB-SHORT]	<ul style="list-style-type: none"> <li>Driver's air bag module circuit is shorted to some power supply circuit. (including the spiral cable)</li> </ul>	<ol style="list-style-type: none"> <li>Visually check the wiring harness connection.</li> <li>Replace the harness if it has visible damage.</li> <li>Replace the spiral cable.</li> </ol>
AIRBAG MODULE [OPEN]	<ul style="list-style-type: none"> <li>Driver's air bag module circuit is open. (including the spiral cable)</li> </ul>	<ol style="list-style-type: none"> <li>Visually check the wiring harness connection.</li> <li>Replace the harness if it has visible damage.</li> <li>Replace the spiral cable.</li> </ol>
AIRBAG MODULE [GND-SHORT]	<ul style="list-style-type: none"> <li>Driver's air bag module circuit is shorted to ground. (including the spiral cable)</li> </ul>	<ol style="list-style-type: none"> <li>Replace driver's air bag module. (Before disposal of it, it must be deployed.)</li> </ol>
AIRBAG MODULE [SHORT]	<ul style="list-style-type: none"> <li>Driver's air bag module circuits are shorted to each other.</li> </ul>	
ASSIST A/B MODULE [VB-SHORT]	<ul style="list-style-type: none"> <li>Front passenger air bag module circuit is shorted to some power supply circuit.</li> </ul>	<ol style="list-style-type: none"> <li>Visually check the wiring harness connection.</li> <li>Replace the harness if it has visible damage.</li> <li>Replace the air bag harness.</li> </ol>
ASSIST A/B MODULE [OPEN]	<ul style="list-style-type: none"> <li>Front passenger air bag module circuit is open.</li> </ul>	<ol style="list-style-type: none"> <li>Visually check the wiring harness connection.</li> <li>Replace the harness if it has visible damage.</li> <li>Replace front passenger air bag module. (Before disposal of it, it must be deployed.)</li> </ol>
ASSIST A/B MODULE [GND-SHORT]	<ul style="list-style-type: none"> <li>Front passenger air bag module circuit is shorted to ground.</li> </ul>	
ASSIST A/B MODULE [SHORT]	<ul style="list-style-type: none"> <li>Front passenger air bag module circuits are shorted to each other.</li> </ul>	
CONTROL UNIT	<ul style="list-style-type: none"> <li>Diagnosis sensor unit is out of order.</li> </ul>	<ul style="list-style-type: none"> <li>Replace the diagnosis sensor unit.</li> </ul>
CONTROL UNIT [33]		
CONTROL UNIT [C6]		
CONTROL UNIT [D4]		
CONTROL UNIT [D7]		
CONTROL UNIT [C1]	<p>Low battery voltage (Less than 9V) or the diagnosis sensor unit is out of order.</p>	<ol style="list-style-type: none"> <li>When battery voltage is low, go to DIAGNOSTIC PROCEDURE 4 (RS-25) after charging battery. (The diagnosis sensor unit is normal. Do not replace.)</li> <li>When battery is normal, replace the diagnosis sensor unit.</li> </ol>

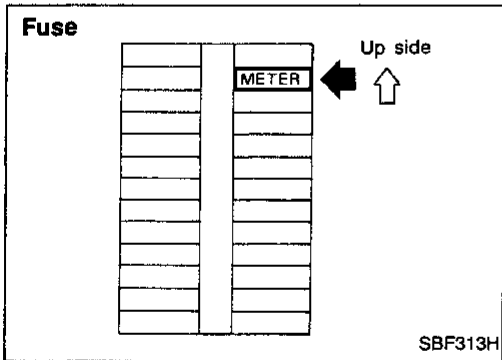


**Trouble Diagnoses for Air Bag Warning Lamp  
DIAGNOSTIC PROCEDURE 8**

**SYMPTOM: "AIR BAG" warning lamp does not turn off.**

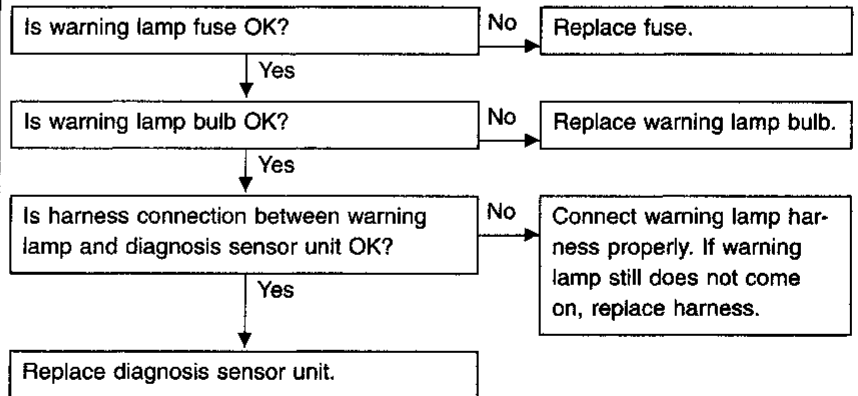


GI  
MA  
EM  
LC  
EC  
FE  
CL  
MT  
AT  
PD  
FA  
RA  
BR  
ST  
RS  
BT  
HA  
EL  
IDX



**DIAGNOSTIC PROCEDURE 9**

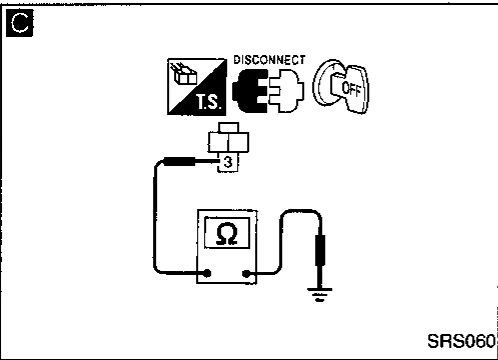
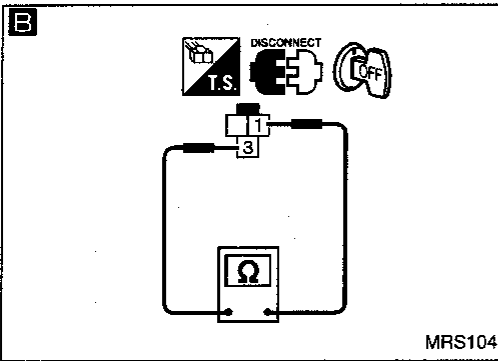
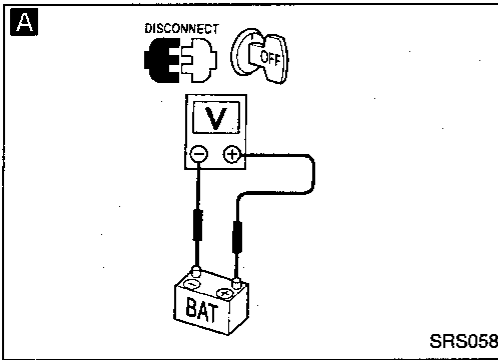
**SYMPTOM: "AIR BAG" warning lamp does not turn on.**



**Trouble Diagnoses for Air Bag Warning Lamp (Cont'd)**

**DIAGNOSTIC PROCEDURE 10**

**SYMPTOM: SRS does not enter Diagnostic mode.**



**A**

Disconnect both battery cables and check battery voltage using circuit tester.

- Is battery voltage more than 9V?

No → Charge battery.

Yes

**B**

Remove driver's door switch and check continuity between driver's door switch connector terminals ① and ③ under the following conditions.

Condition	Continuity
Door switch is depressed (Door is closed).	YES
Door switch is released (Door is open).	NO

No → Replace driver's door switch.

Yes

**C**

Check harness continuity between driver's door switch connector terminal ③ and body ground.

- Does continuity exist?

No → Replace or repair harness.

Yes

Replace diagnosis sensor unit.

Go to **DIAGNOSTIC PROCEDURE 3.**

# COLLISION DIAGNOSIS

To repair the SRS, perform the following steps.

**When SRS is activated in a collision:**

- ① Replace the diagnosis sensor unit.
- ② Remove the air bag modules.
- ③ Check the SRS components using the table shown below:
  - Replace any SRS components showing visible signs of damage (dents, cracks, deformation).
- ④ Conduct self-diagnosis. Refer to "Self-diagnosis" for details (RS-22). Ensure the remainder of the SRS is operating properly.
- ⑤ Install new air bag modules.
- ⑥ Conduct self-diagnosis again.

**When SRS is not activated in a collision:**

- ① Check the SRS components using the table shown below:
  - Replace any SRS components showing visible signs of damage (dents, cracks, deformation).
- ② Conduct self-diagnosis using CONSULT and "AIR BAG" warning lamp. Refer to "Self-diagnosis" for details (RS-22). Ensure entire SRS operates properly.

**SRS inspection**

Part	SRS is activated	SRS is NOT activated
Air bag module (driver and passenger side)	<b>REPLACE</b> Install with new bolts.	1. Remove air bag module. Check harness cover and connectors for damage, terminals for deformities, and harness for binding. 2-1. Install driver air bag module into the steering wheel to check fit and alignment with the wheel. 2-2. Install passenger air bag module into the instrument panel to check fit with the instrument panel. 3. No damage found, reinstall with new bolts. 4. If damaged—REPLACE. Air bag must be deployed before discarding.
Instrument panel	<b>REPLACE</b> Install with new bolts.	1. Check instrument panel for bending, deformities, or cracks. 2. If no damage is found, reinstall with new bolts. 3. If damaged—REPLACE.
Diagnosis sensor unit	<b>REPLACE</b> Install with new bolts.	1. Check case and bracket for dents, cracks or deformities. 2. Check connectors for damage, and terminals for deformities. 3. If no damage is found, reinstall with new bolts. 4. If damaged—REPLACE.
Steering wheel	1. Visually check steering wheel for deformities. 2. Check harness (built into steering wheel) and connectors for damage, and terminals for deformities. 3. Install air bag module to check fit or alignment with steering wheel. 4. Check steering wheel for excessive free play. 5. If no damage is found, reinstall with new bolts. 6. If damaged—REPLACE.	
Spiral cable	1. Visually check lock (engagement) pins and combination switch for damage. 2. Check connectors, flat cable and protective tape for damage. 3. Check steering wheel for noise, binding or heavy operation. 4. If no damage is found, reinstall with new bolts. 5. If damaged—REPLACE.	
Harness and Connectors	1. Check connectors for poor connection, damage, and terminals for deformities. 2. Check harness for binding, chafing, cuts, or deformities. 3. If no damage is found, reinstall harness and connectors. 4. Damaged—REPLACE damaged section of harness. Do not attempt to repair, splice or modify any SRS harness.	

GI  
MA  
EM  
LC  
EC  
FE  
CL  
MT  
AT  
PD  
FA  
RA  
BR  
ST  
RS  
BT  
HA  
EL  
IDX